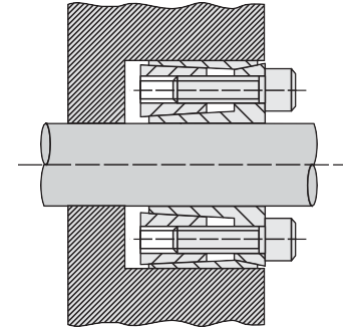
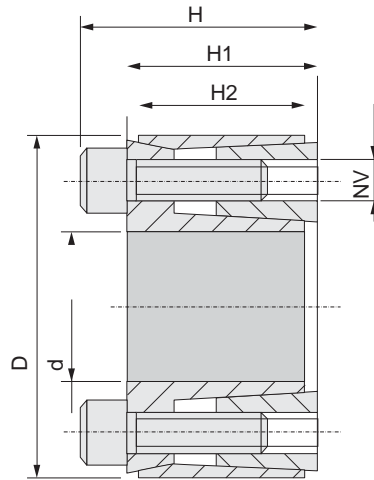


# KLHH



**Material C45E UNI**  
**EN 10083-1**  
 Dimensions before  
 mounting

Our code	Dimensions					Tightening			Loosening		Performances		Surface pressures	
	d	D	H	H1	H2	NV	Tv (Nm)	No. of screws	NV	No. of screws	Mt (Nm)	Ta (kN)	Pa (N/mm <sup>2</sup> )	Pm (N/mm <sup>2</sup> )
KLHH018	18	40	24	18	14,7	M6x16	17	4	M6x16	2	165	18,0	185	83
KLHH019	19	41	24	18	14,7	M6x16	17	4	M6x16	2	174	18,0	176	81
KLHH020	20	42	24	18	14,7	M6x16	17	4	M6x16	2	183	18,0	167	79
KLHH024	24	46	24	18	14,7	M6x16	17	6	M6x16	3	329	27,0	209	109
KLHH025	25	47	24	18	14,7	M6x16	17	6	M6x16	3	343	27,0	200	106
KLHH028	28	50	24	18	14,7	M6x16	17	6	M6x16	3	384	27,0	179	100
KLHH030	30	52	24	18	14,7	M6x16	17	6	M6x16	3	412	27,0	167	96
KLHH035	35	57	28	22	18,0	M6x18	17	6	M6x18	3	480	27,0	117	78
KLHH038	38	60	28	22	18,0	M6x18	17	8	M6x18	4	695	36,5	143	91
KLHH040	40	62	28	22	18,0	M6x18	17	8	M6x18	4	732	36,5	136	88
KLHH042	42	70	36	28	23,5	M8x25	42	8	M8x25	4	1427	68,0	185	111
KLHH045	45	73	36	28	23,5	M8x25	42	8	M8x25	4	1529	68,0	172	106
KLHH048	48	76	36	28	23,5	M8x25	42	8	M8x25	4	1631	68,0	161	102
KLHH050	50	78	36	28	23,5	M8x25	42	8	M8x25	4	1699	68,0	155	99
KLHH055	55	83	36	28	23,5	M8x25	42	8	M8x25	4	1869	68,0	141	93
KLHH060	60	88	36	28	23,5	M8x25	42	8	M8x25	4	2039	68,0	129	88
KLHH070	70	105	45	35	30,0	M10x30	83	8	M10x30	4	3759	107,0	137	91
KLHH080	80	115	45	35	30,0	M10x30	83	8	M10x30	4	4296	107,0	120	83
KLHH095	95	138	45	35	30	M10x30	83	10	M10x30	4	6377	134	126	83