



MLFB-Ordering data: **1LE1001-1CD02-2AA4**

Motor type: **1AV2130D**

Client order no.:

Item no.:

Order no.:

Consignment no.:

Offer no.:

Project:

Remarks:

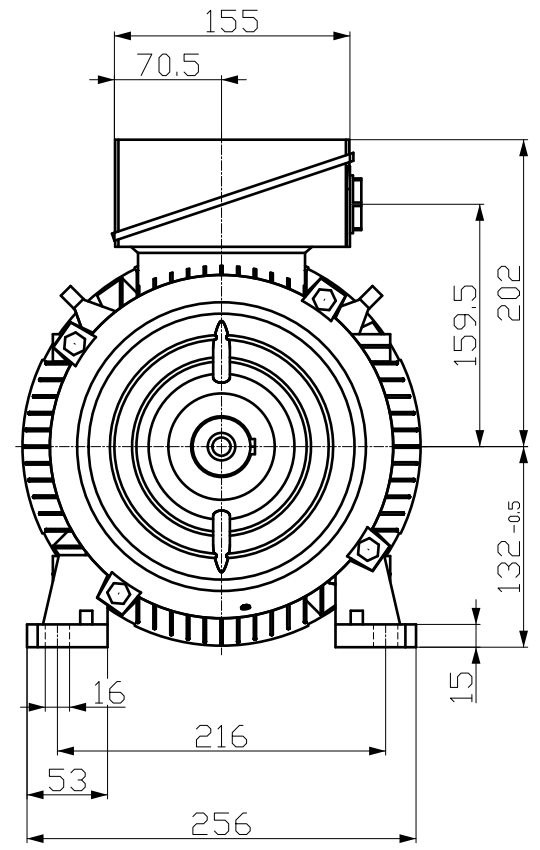
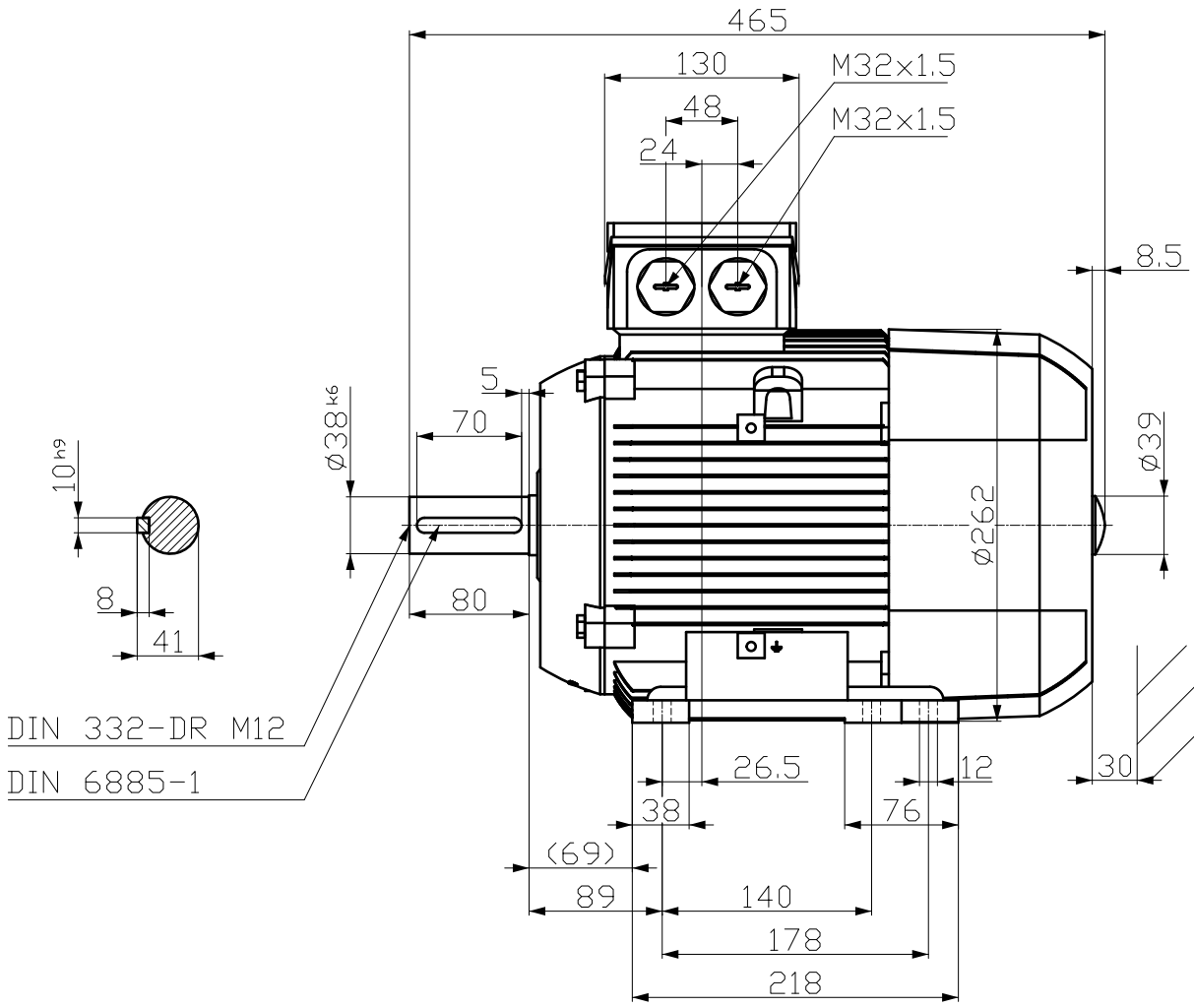
U [V]	Δ/Y	f [Hz]	P [kW]	P [hp]	I [A]	n [1/min]	M [Nm]	NOM. EFF at ... load [%]			Power factor at ... load			I_A/I_N I/I_N	M_A/M_N T/T_N	M_k/M_N T_B/T_N	IE-CL
								4/4	3/4	2/4	4/4	3/4	2/4				
230	Δ	50	2.20	- / -	11.50	725	29.0	77.6	78.2	76.6	0.62	0.55	0.44	3.5	1.4	2.0	IE2
400	Y	50	2.20	- / -	6.60	725	29.0	77.6	78.2	76.6	0.62	0.55	0.44	3.5	1.4	2.0	IE2
460	Y	60	2.54	- / -	6.20	875	28.0	84.0	84.7	83.2	0.62	0.56	0.45	3.7	1.4	2.0	IE2
460	Y	60	2.20	- / -	5.60	880	24.0	84.0	83.8	81.3	0.59	0.52	0.41	4.1	1.6	2.3	IE2
IM B3 / IM 1001		FS 132 S		46 kg		IP55		IEC/EN 60034			IEC, DIN, ISO, VDE, EN						

Mechanical data		Terminal box	
Sound pressure level 50Hz/60Hz (load)	63 dB(A) ¹⁾ 66 dB(A) ¹⁾	Terminal box position	top
Moment of inertia	0.034 kg m ²	Material of terminal box	Aluminium
Bearing DE NDE	6208 2Z C3 6208 2Z C3	Type of terminal box	TB1 H00
Bearing lifetime	40000 h	Contact screw thread	M4
Lubricants	Unirex N3	Max. cross-sectional area	6.0 mm ²
Regreasing device	No	Cable diameter from ... to ...	11.0 mm - 21.0 mm
Grease nipple	- / -	Cable entry	2xM32x1,5
Type of bearing	Preloaded bearing DE	Cable gland	2 plugs
Condensate drainage holes	No		
External earthing terminal			
Vibration severity grade	A	Special design (0)	
Insulation	155(F) to 130(B)		
Duty type	S1		
Direction of rotation	bidirectional		
Frame material	aluminum		
Data of anti condensation heating	- / -		
Coating (paint finish)	Standard paint finish C2		
Color, paint shade	RAL7030		
Motor protection	(A) without (Standard)		
Method of cooling	IC411 - self ventilated, surface cooled		

Environmental conditions	
Ambient temperature	-20 °C - +40 °C
Altitude above sea level	1000 m

Notes	
I_A/I_N = locked rotor current / current nominal	M_k/M_N = break down torque / nominal torque
M_A/M_N = locked rotor torque / torque nominal	1) Value is valid only for DOL operation with motor design IC411

刀线管
 用文
 图
 积
 01
 02
 03
 04
 05
 06
 07
 08
 09
 10
 11
 12
 13
 14
 15
 16
 17
 18
 19
 20
 21
 22
 23
 24
 25
 26
 27
 28
 29
 30
 31
 32
 33
 34
 35
 36
 37
 38
 39
 40
 41
 42
 43
 44
 45
 46
 47
 48
 49
 50
 51
 52
 53
 54
 55
 56
 57
 58
 59
 60
 61
 62
 63
 64
 65
 66
 67
 68
 69
 70
 71
 72
 73
 74
 75
 76
 77
 78
 79
 80
 81
 82
 83
 84
 85
 86
 87
 88
 89
 90
 91
 92
 93
 94
 95
 96
 97
 98
 99
 100



DIN 332-DR M12
 DIN 6885-1

Tolerance	Surface	Material	Weight	Scale
F50			E	1:1
Author	Creator	Approval	03 04 05 06 07 08 09 10 11 12 13 14 15 16 17 18 19 20 21 22 23 24 25 26 27 28 29 30 31 32 33 34 35 36 37 38 39 40 41 42 43 44 45 46 47 48 49 50 51 52 53 54 55 56 57 58 59 60 61 62 63 64 65 66 67 68 69 70 71 72 73 74 75 76 77 78 79 80 81 82 83 84 85 86 87 88 89 90 91 92 93 94 95 96 97 98 99 100	
FC	OV			
Doc State	Revision	Item No	Paper Size	
FC	RS		CH	
Project No	Index	Doc No	1st Language	
E			2nd Language	
		Ref No	Sheet	
		E	F of F	

SIEMENS

© Siemens AG 2018