

Data sheet for three-phase Squirrel-Cage-Motors SIMOTICS



Motor type : 1CV3112D

SIMOTICS SD - 112 M - IM B3 - 8p

Client order no.	Item-No.	Offer no.
Order no.	Consignment no.	Project

Remarks

Electrical data

Safe Area

U [V]	Δ / Y	f [Hz]	P [kW]	P [hp]	I [A]	n [1/min]	M [Nm]	η ³⁾			$\cos\phi$ ³⁾			I_A/I_N I_i/I_N	M_A/M_N T_i/T_N	M_K/M_N T_B/T_N	IE-CL
								4/4	3/4	2/4	4/4	3/4	2/4				
230	Δ	50	1.50	-/-	7.50	720	19.9	79.7	85.6	77.3	0.63	0.54	0.41	5.1	2.6	3.1	IE3
400	Y	50	1.50	-/-	4.15	720	19.9	79.7	85.6	77.3	0.63	0.54	0.41	5.1	2.6	3.1	IE3

IM B3 / IM 1001	FS 112 M	IP55	IEC/EN 60034	IEC, DIN, ISO, VDE, EN
Environmental conditions : -20 °C - +40 °C / 1000 m			Locked rotor time (hot / cold) : 23.5 s 30.6 s	

Mechanical data

Sound level (SPL / SWL) at 50Hz 60Hz	61.7 / 69.7 dB(A) ₂₎	65 / 73 dB(A) ²⁾	Vibration severity grade	A
Moment of inertia	0.0280 kg m ²		Insulation	155(F) to 130(B)
Bearing DE NDE	6206 2Z C3	6206 2Z C3	Duty type	S1
bearing lifetime			Direction of rotation	bidirectional
L _{10mh} , F _{Rad} min 50 60Hz ¹⁾ for coupling operation	40000 h	32000 h	Frame material	cast iron
Lubricants	Unirex N3		Net weight of the motor (IM B3)	46 kg
Regreasing device	No		Coating (paint finish)	Standard paint finish C2
Grease nipple	-/-		Color, paint shade	RAL7030
Type of bearing	Preloaded bearing DE		Motor protection	(A) without (Standard)
Condensate drainage holes	Yes (standard)		Method of cooling	IC411 - self ventilated, surface cooled
External earthing terminal	No			


Terminal box

Terminal box position	top	Max. cross-sectional area	4 mm ²
Material of terminal box	cast iron	Cable diameter from ... to ...	11 mm - 21 mm
Type of terminal box	TB1 F01	Cable entry	2xM32x1,5
Contact screw thread	M4	Cable gland	2 plugs

Notes:

I_A/I_N = locked rotor current / current nominal
 M_A/M_N = locked rotor torque / torque nominal
 M_K/M_N = break down torque / nominal torque
 1) L10mh according to DIN ISO 281 10/2010
 2) at rated power / at full load
 3) Value is valid only for DOL operation with motor design IC411

responsible dep. DI MC LVM	technical reference	created by DT Configurator	approved by	<i>Technical data are subject to change! There may be discrepancies between calculated and rating plate values.</i>
-------------------------------	---------------------	-------------------------------	-------------	---

	document type datasheet	document status released	customer	
	title 1LE1503-1BD22-2AA4-Z F74	document number	rev. 01	creation date 2021-11-03 10:37
© Siemens AG 2021				Page 1/2

Data sheet for three-phase Squirrel-Cage-Motors SIMOTICS




Motor type : 1CV3112D

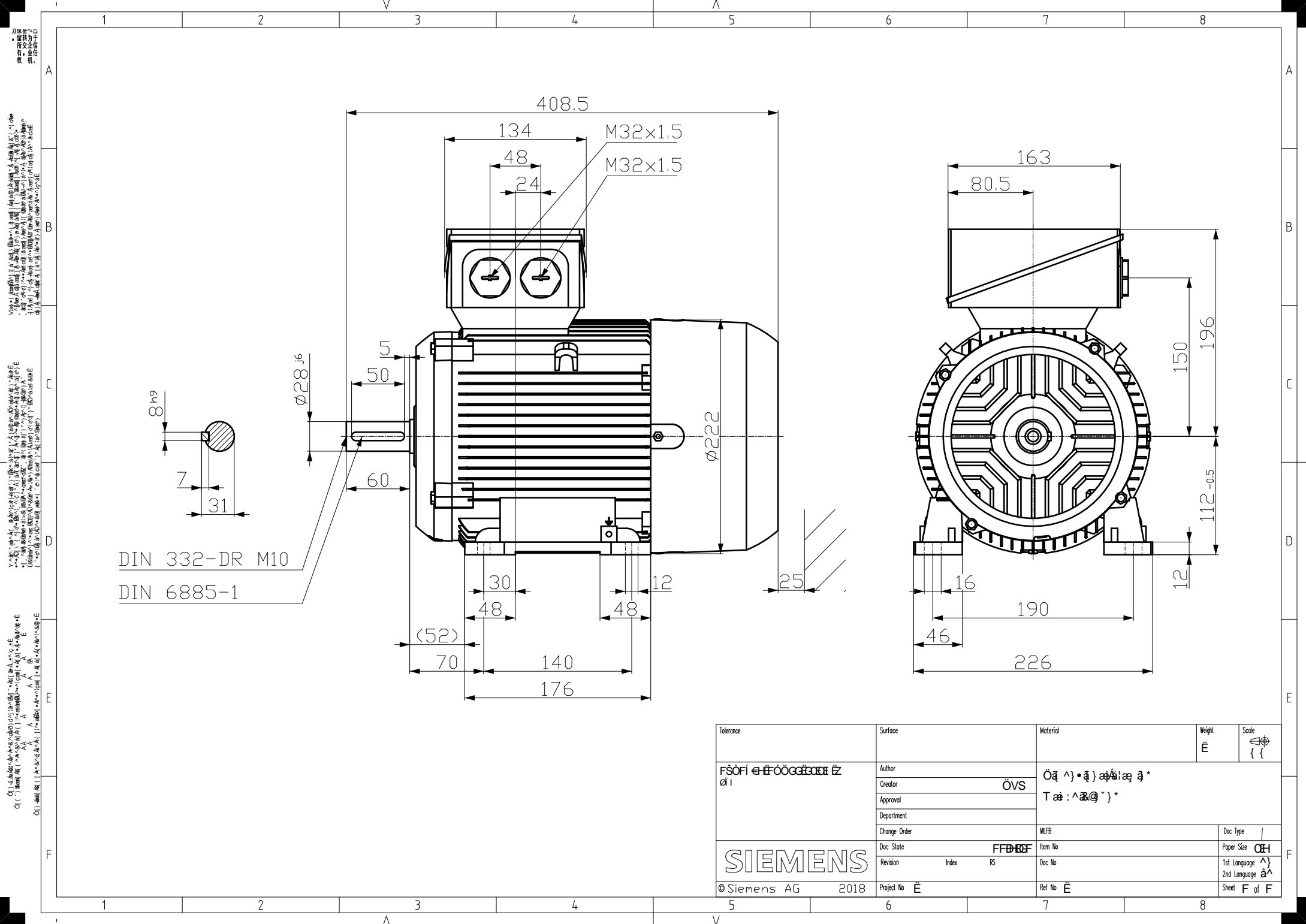
SIMOTICS SD - 112 M - IM B3 - 8p

Special design

F74 Sheet steel fan cowl

Notes:

responsible dep. DI MC LVM	technical reference	created by DT Configurator	approved by	<i>Technical data are subject to change! There may be discrepancies between calculated and rating plate values.</i>		
	document type datasheet		document status released		customer	
	title 1LE1503-1BD22-2AA4-Z F74		document number			
© Siemens AG 2021			rev. 01	creation date 2021-11-03 10:37	language en	Page 2/2



Tolerance	Surface	Material	Weight	Scale
F50F1			E	{ }
Author	Creator	ÖVS	ÖS	
Approval	T			
Department				
Change Order			MFB	Doc Type
Doc. State	FFB	Item No	Paper Size CH	
Revision	Index RS	Doc No	1st Language ^	
			2nd Language â	
© Siemens AG	2018	Project No E	Ref No E	Sheet F of F