

Data sheet for three-phase Squirrel-Cage-Motors SIMOTICS



Motor type : 1CV3104D

SIMOTICS SD - 100 L - IM B3 - 8p

Client order no.	Item-No.	Offer no.
Order no.	Consignment no.	Project

Remarks

Electrical data

Safe Area

U [V]	Δ / Y	f [Hz]	P [kW]	P [hp]	I [A]	n [1/min]	M [Nm]	η ³⁾			$\cos\phi$ ³⁾			I_A/I_N I_i/I_N	M_A/M_N T_i/T_N	M_K/M_N T_B/T_N	IE-CL
								4/4	3/4	2/4	4/4	3/4	2/4				
230	Δ	50	0.75	-/-	3.75	710	10.1	75.0	75.7	73.1	0.67	0.58	0.45	3.7	1.5	2.1	IE3
400	Y	50	0.75	-/-	2.10	710	10.1	75.0	75.7	73.1	0.67	0.58	0.45	3.7	1.5	2.1	IE3

IM B3 / IM 1001	FS 100 L	IP55	IEC/EN 60034	IEC, DIN, ISO, VDE, EN
Environmental conditions : -20 °C - +40 °C / 1000 m			Locked rotor time (hot / cold) : 48.7 s 62.1 s	

Mechanical data

Sound level (SPL / SWL) at 50Hz 60Hz	61.4 / 69.4 dB(A) ₂₎	64 / 72 dB(A) ²⁾	Vibration severity grade	A
Moment of inertia	0.0096 kg m ²		Insulation	155(F) to 130(B)
Bearing DE NDE	6206 2Z C3	6206 2Z C3	Duty type	S1
bearing lifetime			Direction of rotation	bidirectional
L _{10mh} , F _{Rad} min 50 60Hz ¹⁾ for coupling operation	40000 h	32000 h	Frame material	cast iron
Lubricants	Unirex N3		Net weight of the motor (IM B3)	31 kg
Regreasing device	No		Coating (paint finish)	Standard paint finish C2
Grease nipple	-/-		Color, paint shade	RAL7030
Type of bearing	Preloaded bearing DE		Motor protection	(A) without (Standard)
Condensate drainage holes	Yes (standard)		Method of cooling	IC411 - self ventilated, surface cooled
External earthing terminal	No			

Terminal box

Terminal box position	top	Max. cross-sectional area	4 mm ²
Material of terminal box	cast iron	Cable diameter from ... to ...	11 mm - 21 mm
Type of terminal box	TB1 F01	Cable entry	2xM32x1,5
Contact screw thread	M4	Cable gland	2 plugs

Notes:
 I_A/I_N = locked rotor current / current nominal
 M_A/M_N = locked rotor torque / torque nominal
 M_K/M_N = break down torque / nominal torque
 1) L10mh according to DIN ISO 281 10/2010
 2) at rated power / at full load
 3) Value is valid only for DOL operation with motor design IC411

responsible dep. DI MC LVM	technical reference	created by DT Configurator	approved by	<i>Technical data are subject to change! There may be discrepancies between calculated and rating plate values.</i>			
SIEMENS	document type datasheet	document status released		customer			
	title 1LE1503-1AD42-2AA4-Z F74	document number					
© Siemens AG 2021	rev. 01	creation date 2021-11-03 10:32	language en	Page 1/2			

Data sheet for three-phase Squirrel-Cage-Motors SIMOTICS



Motor type : 1CV3104D

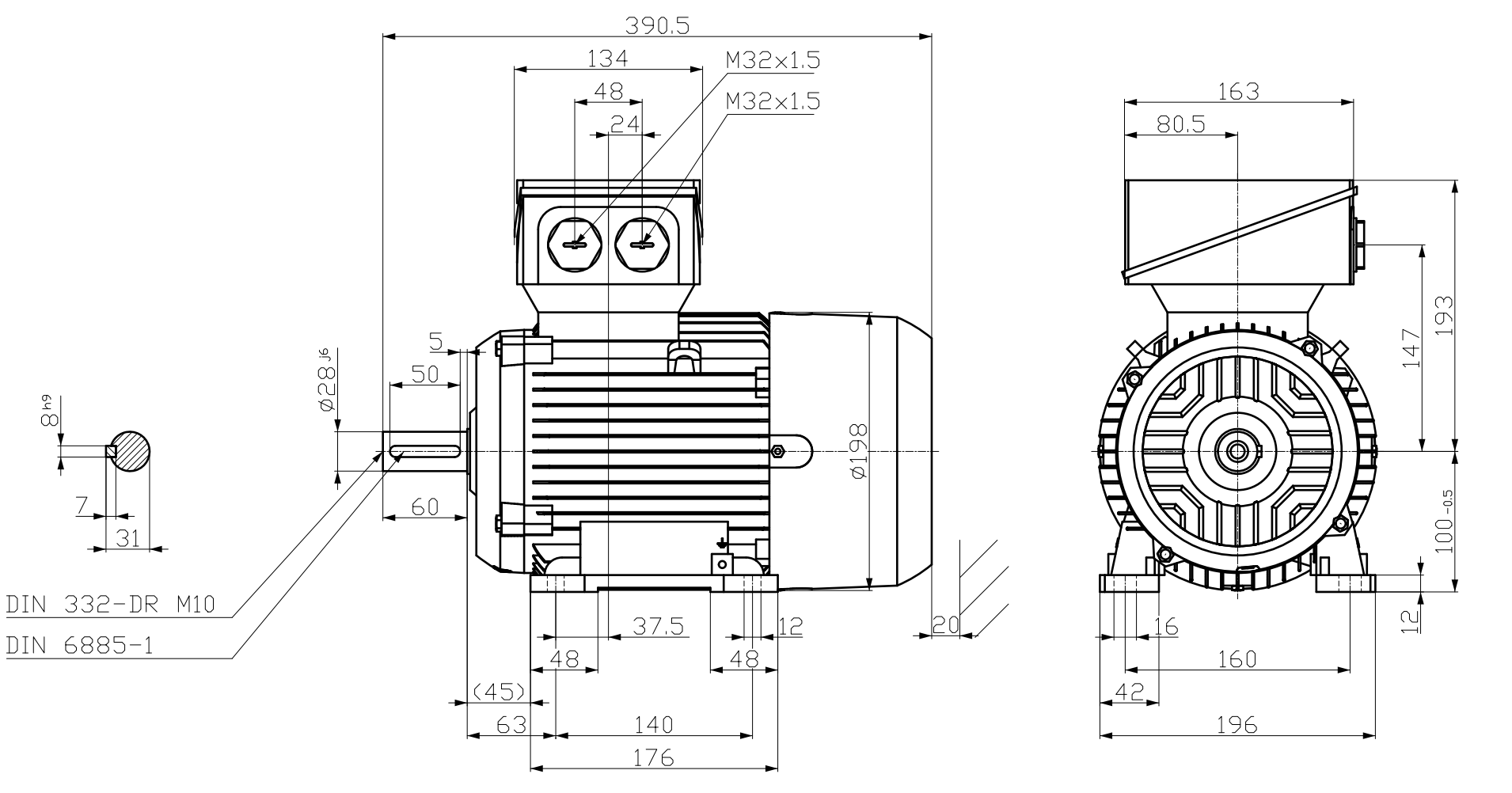
SIMOTICS SD - 100 L - IM B3 - 8p

Special design

F74 Sheet steel fan cowl

Notes:

responsible dep. DI MC LVM	technical reference	created by DT Configurator	approved by	<i>Technical data are subject to change! There may be discrepancies between calculated and rating plate values.</i>			
SIEMENS	document type datasheet	document status released		customer			
	title 1LE1503-1AD42-2AA4-Z F74	document number					
© Siemens AG 2021	rev. 01	creation date 2021-11-03 10:32	language en	Page 2/2			



DIN 332-DR M10
 DIN 6885-1

Tolerance	Surface	Material	Weight	Scale
F50F1 E-FCOI E30E E2	Author	ÖS	E	{ } { }
Ø1	Creator	ÖS		
	Approval	T æ : ^ E @ ^ } *		
	Department			
	Change Order	MFB		Doc Type
	Doc State	FFD ECF		Paper Size
SIEMENS	Revision	Index		1st Language
© Siemens AG 2018	Project No	E		2nd Language
	Ref No	E		Sheet
				F of F