



MLFB-Ordering data: **1LE1603-2DC22-2AB4**

Motor type: **1CV3282C**

Client order no.:

Item no.:

Order no.:

Consignment no.:

Offer no.:

Project:

Remarks:

| U<br>[V]        | Δ/Y | f<br>[Hz] | P<br>[kW] | P<br>[hp] | I<br>[A] | n<br>[1/min] | M<br>[Nm] | NOM. EFF at ... load [%] |      |      | Power factor at ... load |      |      | $I_A/I_N$<br> <br>$I/I_N$ | $M_A/M_N$<br> <br>$T/T_N$ | $M_k/M_N$<br> <br>$T_B/T_N$ | IE-CL |
|-----------------|-----|-----------|-----------|-----------|----------|--------------|-----------|--------------------------|------|------|--------------------------|------|------|---------------------------|---------------------------|-----------------------------|-------|
|                 |     |           |           |           |          |              |           | 4/4                      | 3/4  | 2/4  | 4/4                      | 3/4  | 2/4  |                           |                           |                             |       |
| 230             | Δ   | 50        | 55.00     | - / -     | 173.00   | 988          | 530.0     | 94.1                     | 94.5 | 94.4 | 0.85                     | 0.81 | 0.73 | 7.2                       | 3.3                       | 3.0                         | IE3   |
| 400             | Y   | 50        | 55.00     | - / -     | 99.00    | 988          | 530.0     | 94.1                     | 94.5 | 94.4 | 0.85                     | 0.81 | 0.73 | 7.2                       | 3.3                       | 3.0                         | IE3   |
| 460             | Y   | 60        | 66.00     | - / -     | 102.00   | 1186         | 530.0     | 94.1                     | 94.6 | 94.4 | 0.86                     | 0.83 | 0.76 | 7.8                       | 3.0                       | 2.7                         | IE2   |
| 460             | Y   | 60        | 55.00     | - / -     | 87.00    | 1190         | 440.0     | 94.5                     | 94.6 | 93.9 | 0.84                     | 0.80 | 0.70 | 9.2                       | 3.6                       | 3.3                         | IE3   |
| IM B3 / IM 1001 |     | FS 280 M  |           | 560 kg    |          | IP55         |           | IEC/EN 60034             |      |      | IEC, DIN, ISO, VDE, EN   |      |      |                           |                           |                             |       |

| Mechanical data                       |   | Terminal box   |                       |
|---------------------------------------|---|--|-----------------------|
| Sound pressure level 50Hz/60Hz (load) | 60 dB(A) <sup>1)</sup>   66 dB(A) <sup>1)</sup>               | Terminal box position  | top                   |
| Moment of inertia                     | 1.60 kg m <sup>2</sup>  | Material of terminal box   | cast iron             |
| Bearing DE   NDE                      | 6317 C3   6317 C3   | Type of terminal box   | TB1 N01               |
| Relubrication interval/quantity       | 30 g   30 g<br>8000 h   | Contact screw thread   | M10                   |
| Lubricants                            | Unirex N3   | Max. cross-sectional area  | 120.0 mm <sup>2</sup> |
| Regreasing device                     | Yes (standard)  | Cable diameter from ... to ...   | 34.0 mm - 42.0 mm     |
| Grease nipple                         | M10x1 DIN 3404 A  | Cable entry  | 2xM63x1,5-2xM20x1,5   |
| Type of bearing                       | Locating bearing NDE  | Cable gland  | 4 plugs               |
| Condensate drainage holes             | Yes (standard)  | <div style="border: 1px solid black; padding: 10px; display: inline-block;">                     Special design (0)                 </div> |                       |
| External earthing terminal            | Yes (standard)  |  |                       |
| Vibration severity grade              | A   |  |                       |
| Insulation                            | 155(F) to 130(B)  |  |                       |
| Duty type                             | S1  |  |                       |
| Direction of rotation                 | bidirectional   |  |                       |
| Frame material                        | cast iron   |  |                       |
| Data of anti condensation heating     | -/-   |  |                       |
| Coating (paint finish)                | Special paint finish C3                                       |  |                       |
| Color, paint shade                    | RAL7030   |  |                       |
| Motor protection                      | (B) 3 PTC thermistors - for tripping (standard) (2 terminals) |  |                       |
| Method of cooling                     | IC411 - self ventilated, surface cooled                       |  |                       |

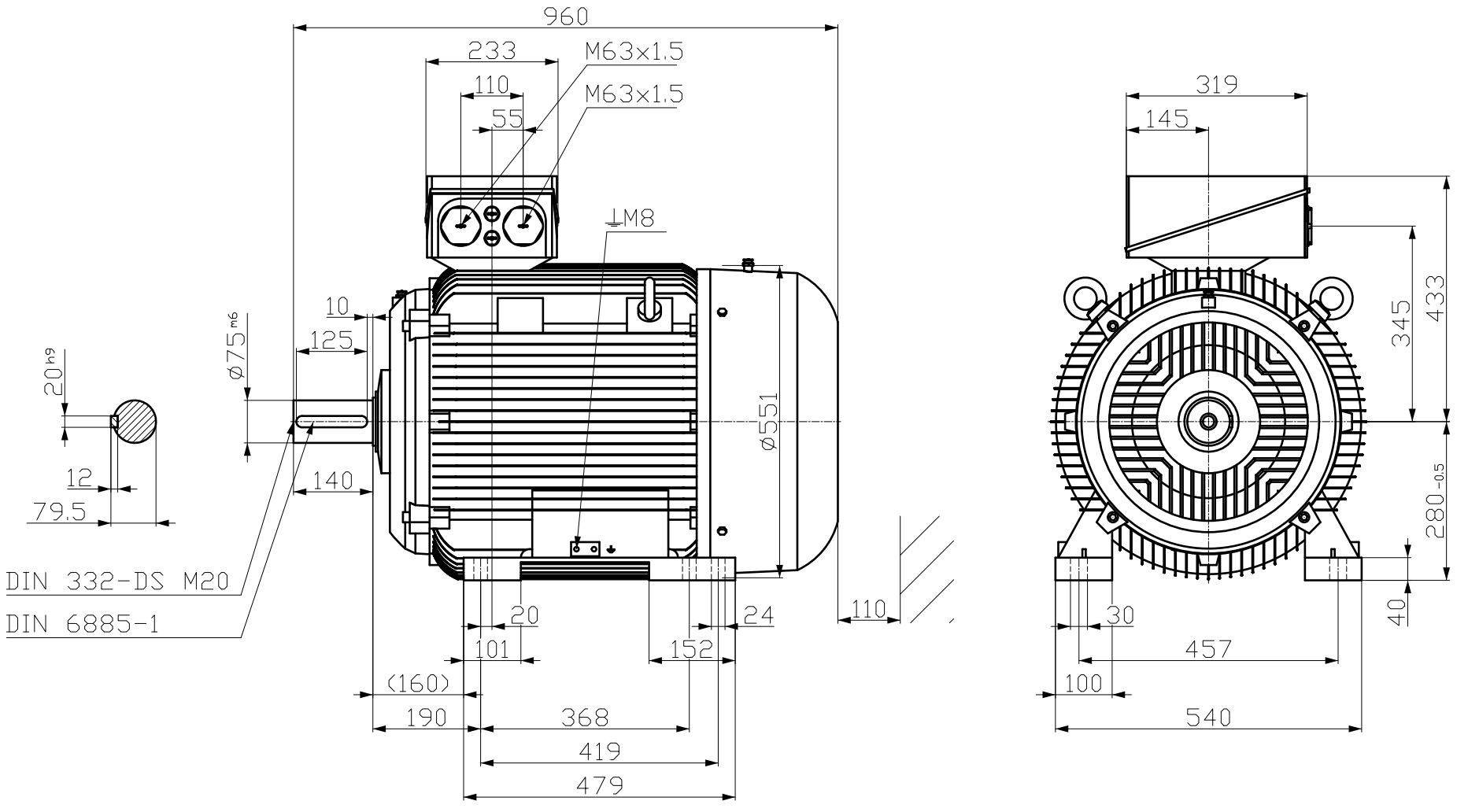
### Environmental conditions

|                          |                 |
|--------------------------|-----------------|
| Ambient temperature      | -20 °C - +40 °C |
| Altitude above sea level | 1000 m          |

### Notes

$I_A/I_N$  = locked rotor current / current nominal     $M_k/M_N$  = break down torque / nominal torque  
 $M_A/M_N$  = locked rotor torque / torque nominal    1) Value is valid only for DOL operation with motor design IC411

刀线管  
 用转为  
 文全  
 图  
 积  
 01  
 02  
 03  
 04  
 05  
 06  
 07  
 08  
 09  
 10  
 11  
 12  
 13  
 14  
 15  
 16  
 17  
 18  
 19  
 20  
 21  
 22  
 23  
 24  
 25  
 26  
 27  
 28  
 29  
 30  
 31  
 32  
 33  
 34  
 35  
 36  
 37  
 38  
 39  
 40  
 41  
 42  
 43  
 44  
 45  
 46  
 47  
 48  
 49  
 50  
 51  
 52  
 53  
 54  
 55  
 56  
 57  
 58  
 59  
 60  
 61  
 62  
 63  
 64  
 65  
 66  
 67  
 68  
 69  
 70  
 71  
 72  
 73  
 74  
 75  
 76  
 77  
 78  
 79  
 80  
 81  
 82  
 83  
 84  
 85  
 86  
 87  
 88  
 89  
 90  
 91  
 92  
 93  
 94  
 95  
 96  
 97  
 98  
 99  
 100



|                   |              |           |        |                 |
|-------------------|--------------|-----------|--------|-----------------|
| Tolerance         | Surface      | Material  | Weight | Scale           |
| F50F1 E           | Author       | ÖVS       | E      | { }             |
|                   | Creator      | Tæ: ^æ@}* |        |                 |
|                   | Approval     |           |        |                 |
|                   | Department   |           |        |                 |
|                   | Change Order | MLFB      |        | Doc Type        |
|                   | Doc State    | i 田 田 J   |        | Paper Size CH   |
|                   | Revision     | Index RS  |        | 1st Language ^} |
|                   |              |           |        | 2nd Language â^ |
| © Siemens AG 2018 | Project No E | Ref No E  |        | Sheet F of F    |