

Data sheet for three-phase Squirrel-Cage-Motors SIMOTICS



Motor type : 1CV3205C

SIMOTICS SD - 200 L - IM B3 - 6p

Client order no.	Item-No.	Offer no.
Order no.	Consignment no.	Project
Remarks		

Electrical data

Safe Area

U [V]	Δ / Y	f [Hz]	P [kW]	P [hp]	I [A]	n [1/min]	M [Nm]	$\eta^{3)}$			$\cos\phi^{3)}$			I_A/I_N I_f/I_N	M_A/M_N T_f/T_N	M_K/M_N T_B/T_N	IE-CL
								4/4	3/4	2/4	4/4	3/4	2/4				
DOL duty (S1) - 155(F) to 130(B)																	
400	Δ	50	22.00	-/-	43.50	978	215.0	92.2	92.8	92.3	0.79	0.74	0.64	5.6	2.5	2.6	IE3
690	Y	50	22.00	-/-	25.50	978	215.0	92.2	92.8	92.3	0.79	0.74	0.64	5.6	2.5	2.6	IE3
IM B3 / IM 1001			FS 200 L		IP55		IEC/EN 60034		IEC, DIN, ISO, VDE, EN								
Environmental conditions : -20 °C - +40 °C / 1000 m									Locked rotor time (hot / cold) : 45.1 s 66.9 s								

Mechanical data

Sound level (SPL / SWL) at 50Hz 60Hz	63 / 76 dB(A) ²⁾	63 / 70 dB(A) ²⁾	External earthing terminal	Yes (standard)
Moment of inertia	0.3200 kg m ²		Vibration severity grade	A
Bearing DE NDE	6312 C3	6312 C3	Thermal class	F
bearing lifetime			Duty type	S1
L _{10mh} , F _{Rad} , min 50 60Hz for coupling operation	40000 h	32000 h	Direction of rotation	bidirectional
Relubrication interval/quantity DE NDE	20 g 20 g 8000 h		Frame material	cast iron
Lubricants	Unirex N3		Net weight of the motor (IM B3)	230 kg
Regreasing device	Yes (standard)		Coating (paint finish)	Special paint finish C3
Grease nipple	M10x1 DIN 3404 A		Color, paint shade	RAL7030
Type of bearing	Locating bearing NDE		Motor protection	(B) 3 PTC thermistors - for tripping (standard) (2 terminals)
Condensate drainage holes	Yes (standard)		Method of cooling	IC411 - self ventilated, surface cooled

Terminal box

Terminal box position	top	Max. cross-sectional area	25 mm ²
Material of terminal box	cast iron	Cable diameter from ... to ...	27 mm - 35 mm
Type of terminal box	TB1 L01	Cable entry	2xM50x1,5-2xM20x1,5
Contact screw thread	M6	Cable gland	4 plugs

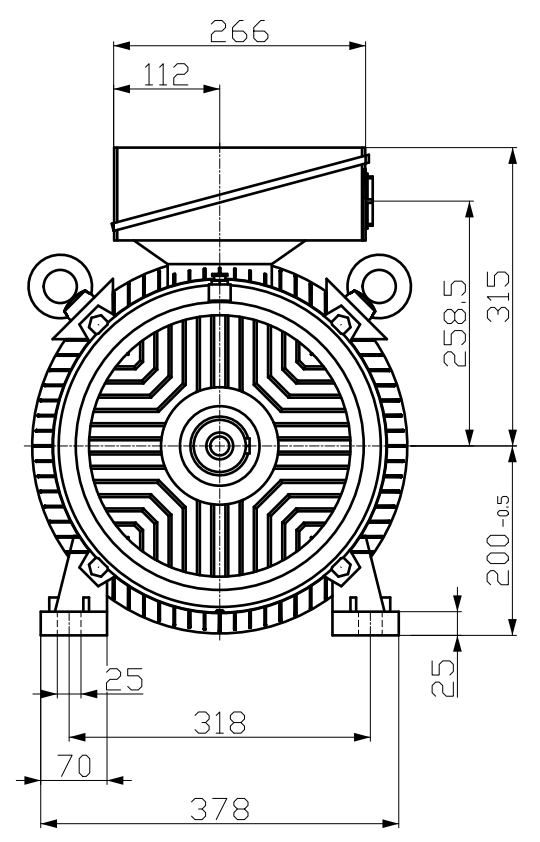
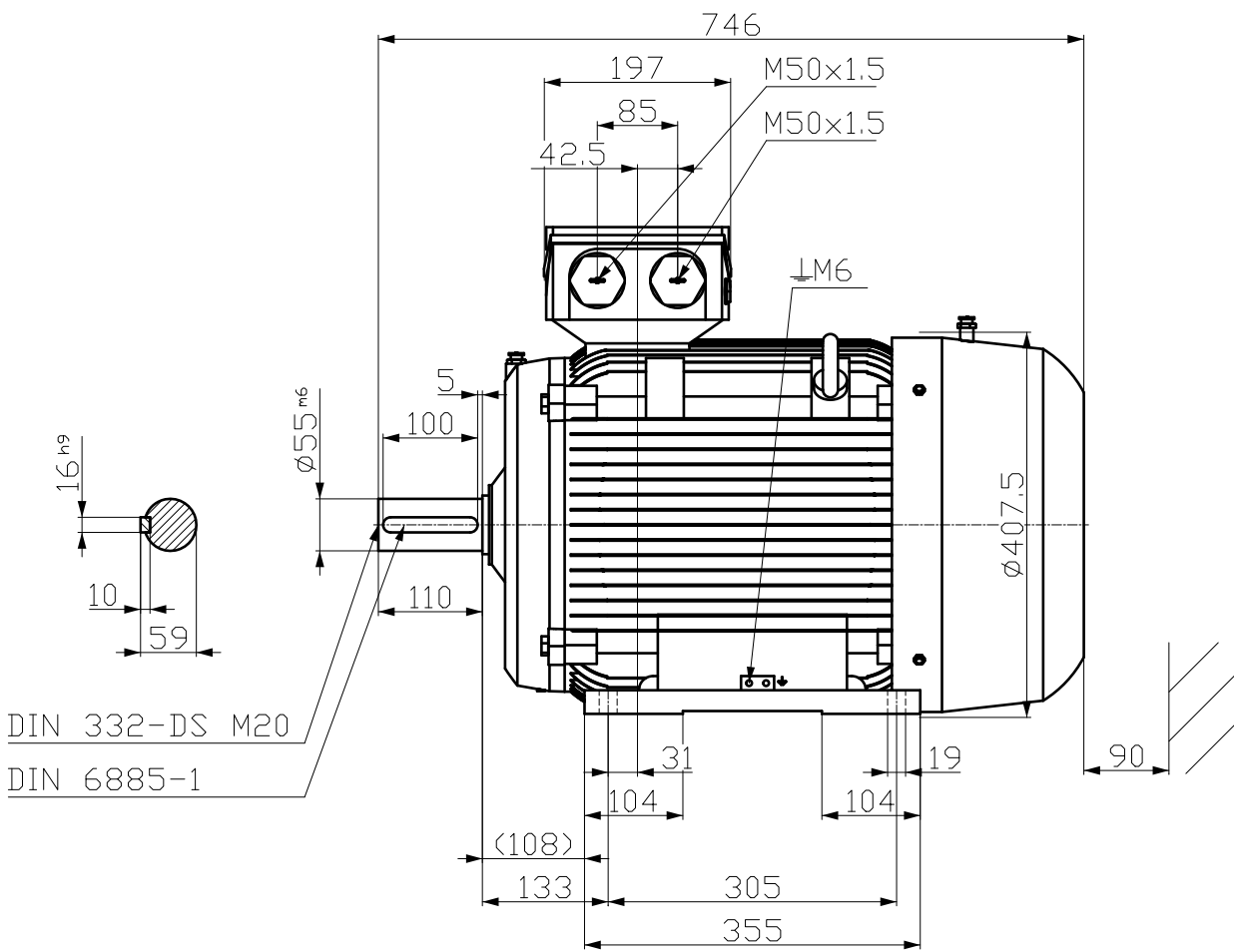
Notes:

I_A/I_N = locked rotor current / current nominal
 M_A/M_N = locked rotor torque / torque nominal
 M_K/M_N = break down torque / nominal torque
 1) L10mh according to DIN ISO 281 10/2010
 2) at rated power / at full load
 3) Value is valid only for DOL operation with motor design IC411

responsible dep. DI MC LVM	technical reference	created by DT Configurator	approved by	<i>Technical data are subject to change! There may be discrepancies between calculated and rating plate values.</i>	Link documents
	document type datasheet	document status released			
	title 1LE1603-2AC53-4AB4	document number			
© Siemens AG 2022	rev. 01	creation date 2022-01-07	language en	Page 1/1	

刀线管
用文全
积
V
A
B
C
D
E
F

01
02
03
04
05
06
07
08
09
10
11
12
13
14
15
16
17
18
19
20
21
22
23
24
25
26
27
28
29
30
31
32
33
34
35
36
37
38
39
40
41
42
43
44
45
46
47
48
49
50
51
52
53
54
55
56
57
58
59
60
61
62
63
64
65
66
67
68
69
70
71
72
73
74
75
76
77
78
79
80
81
82
83
84
85
86
87
88
89
90
91
92
93
94
95
96
97
98
99
100



Tolerance	Surface	Material	Weight	Scale
			E	{ }
F50F1 E5001 H5 C01	Author	ÖS T a : ^ & @ } *		
E	Creator			
	Approval			
	Department			
	Change Order	MFB	Doc Type	/
SIEMENS	Doc. State	F50 EG	Item No	Paper Size
	Revision	Index	Doc No	1st Language
				2nd Language
© Siemens AG	2018	Project No	E	Ref No
			E	Sheet
			F	of F