



MLFB-Ordering data: **1LE1603-2AC52-2AB4**

Motor type: **1CV3205C**

Client order no.:

Item no.:

Order no.:

Consignment no.:

Offer no.:

Project:

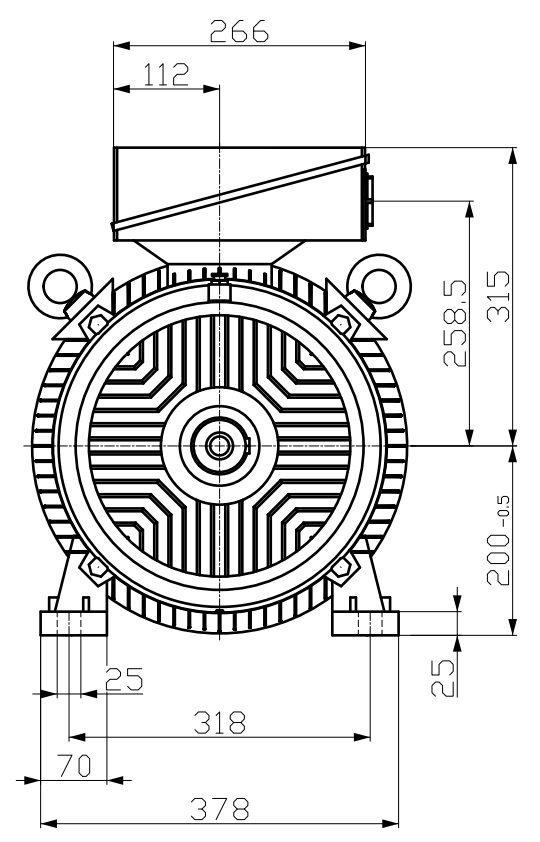
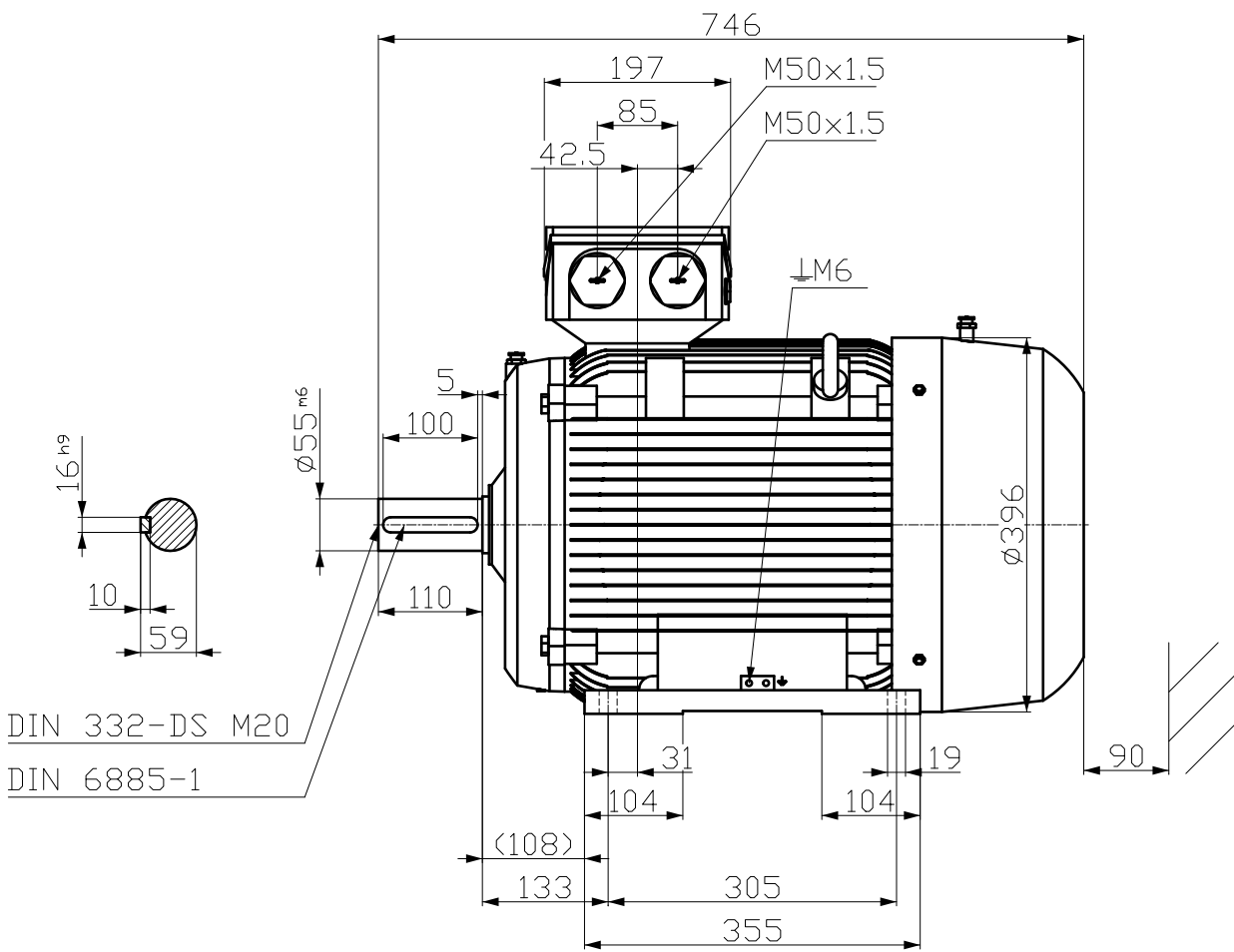
Remarks:

U [V]	Δ/Y	f [Hz]	P		I [A]	n [1/min]	M [Nm]	NOM. EFF at ... load [%]			Power factor at ... load			I _A /I _N I _L /I _N	M _A /M _N T _f /T _N	M _k /M _N T _B /T _N	IE-CL
			[kW]	[hp]				4/4	3/4	2/4	4/4	3/4	2/4				
230	Δ	50	22.00	- / -	76.00	978	215.0	92.2	93.1	93.2	0.79	0.74	0.64	5.6	2.5	2.6	IE3
400	Y	50	22.00	- / -	43.50	978	215.0	92.2	93.1	93.2	0.79	0.74	0.64	5.6	2.5	2.6	IE3
460	Y	60	26.50	- / -	44.00	1175	215.0	93.0	94.0	94.3	0.81	0.77	0.68	5.5	2.3	2.4	IE2
460	Y	60	22.00	- / -	37.50	1180	178.0	93.0	93.5	93.4	0.79	0.74	0.63	6.3	2.6	2.8	IE3
IM B3 / IM 1001			FS 200 L		230 kg	IP55	CC032A	IEC/EN 60034		IEC, DIN, ISO, VDE, EN							

Mechanical data			Terminal box	
Sound pressure level 50Hz/60Hz (load)	63 dB(A)	63 dB(A)	Terminal box position	top
Moment of inertia	0.32 kg m ²		Material of terminal box	cast iron
Bearing DE NDE	6312 C3	6312 C3	Type of terminal box	TB1 L01
Relubrication interval/quantity	10 g 10 g 8000 h		Contact screw thread	M6
Lubricants	Esso Unirex N3		Max. cross-sectional area	25.0 mm ²
Regreasing device	Yes (standard)		Cable diameter from ... to ...	27.0 mm - 35.0 mm
Grease nipple	M10x1 DIN 3404 A		Cable entry	2xM50x1,5-2xM20x1,5
Type of bearing	Locating bearing NDE		Cable gland	3 plugs
Condensate drainage holes	Yes (standard)		Special design	
External earthing terminal	Yes (standard)			
Vibration class	A			
Insulation	155(F) to 130(B)			
Duty type	S1			
Direction of rotation	bidirectional			
Frame material	cast iron			
Data of anti condensation heating	-/-			
Coating	Special paint finish C3			
Color	RAL7030			
Motor protection	(B) 3 PTC thermistors - for tripping (standard) (2 terminals)			
Method of cooling	IC411 - self ventilated, surface cooled			

Environmental conditions	
Ambient temperature	-20 °C - +40 °C
Altitude above sea level	1000 m

刀线管
 用文全
 图
 积
 01
 02
 03
 04
 05
 06
 07
 08
 09
 10
 11
 12
 13
 14
 15
 16
 17
 18
 19
 20
 21
 22
 23
 24
 25
 26
 27
 28
 29
 30
 31
 32
 33
 34
 35
 36
 37
 38
 39
 40
 41
 42
 43
 44
 45
 46
 47
 48
 49
 50
 51
 52
 53
 54
 55
 56
 57
 58
 59
 60
 61
 62
 63
 64
 65
 66
 67
 68
 69
 70
 71
 72
 73
 74
 75
 76
 77
 78
 79
 80
 81
 82
 83
 84
 85
 86
 87
 88
 89
 90
 91
 92
 93
 94
 95
 96
 97
 98
 99
 100



DIN 332-DS M20
 DIN 6885-1

Tolerance	Surface	Material	Weight	Scale
FSÖFI E EÖÖI ÖÖÖI	Author	ÖÖ ^)•ä) ä/ä/ä ä*	E	{ {
E	Creator	ÖVS		
	Approval	T ä : ^ä@`)*		
	Department			
	Change Order	MFB		Doc Type
	Doc. State	FG E E I		Paper Size
	Revision	Index RS		1st Language ^)
				2nd Language ä^
© Siemens AG 2016	Project No	E	Ref No	E
				Sheet F of F

SIEMENS