



MLFB-Ordering data: **1LE1003-1CC32-2AA4**

Motor type: **1AV3133C**

Client order no.:

Item no.:

Order no.:

Consignment no.:

Offer no.:

Project:

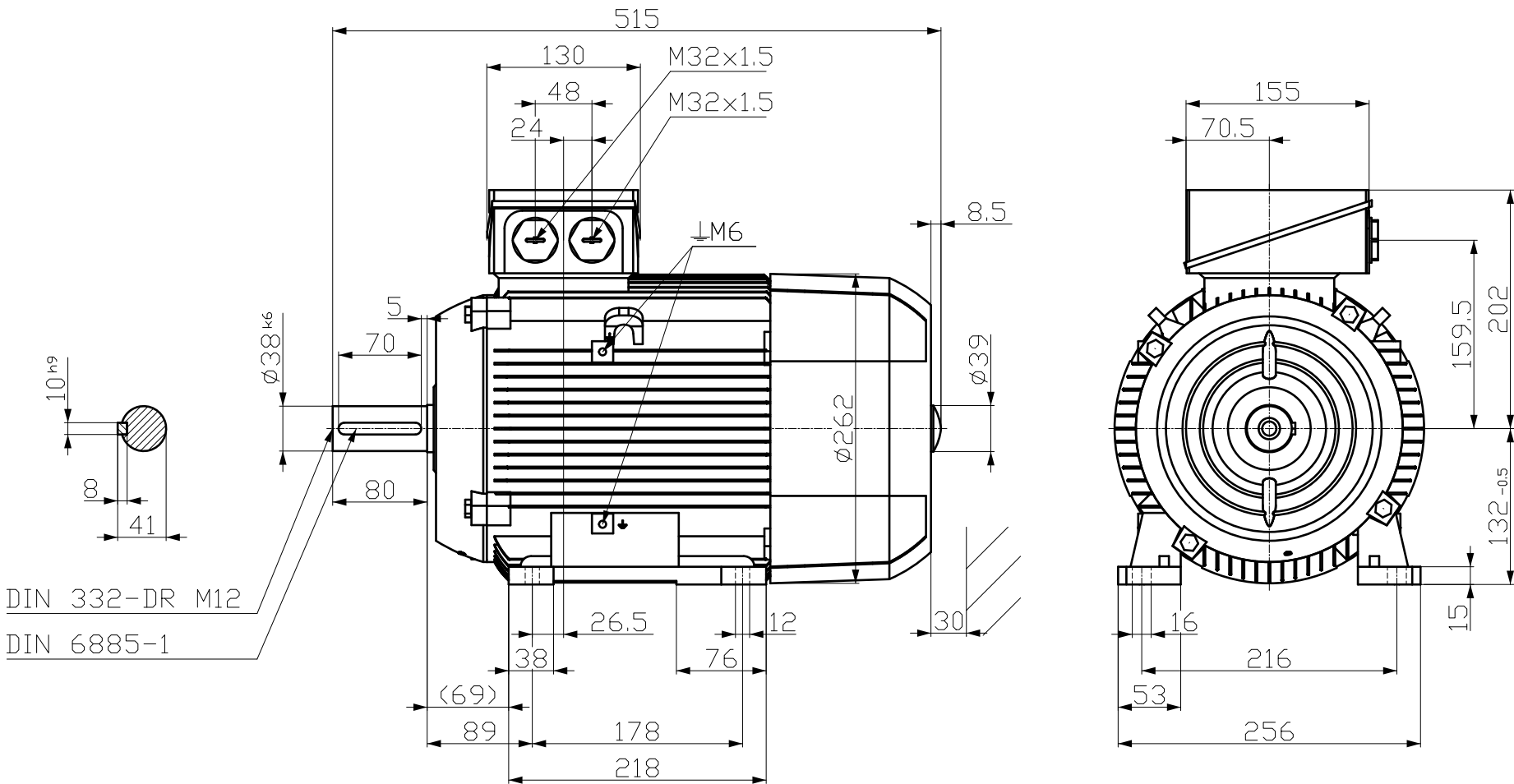
Remarks:

U [V]	Δ/Y	f [Hz]	P [kW]	P [hp]	I [A]	n [1/min]	M [Nm]	NOM. EFF at ... load [%]			Power factor at ... load			I _A /I _N I _L /I _N	M _A /M _N T _l /T _N	M _k /M _N T _B /T _N	IE-CL
								4/4	3/4	2/4	4/4	3/4	2/4				
230	Δ	50	5.50	- / -	20.50	975	54.0	88.0	89.1	88.8	0.77	0.70	0.58	5.7	1.8	2.6	IE3
400	Y	50	5.50	- / -	11.70	975	54.0	88.0	89.1	88.8	0.77	0.70	0.58	5.7	1.8	2.6	IE3
460	Y	60	6.30	- / -	11.50	1175	51.0	89.5	90.6	90.5	0.77	0.71	0.60	5.9	1.8	2.6	IE2
460	Y	60	5.50	- / -	10.30	1180	45.0	89.5	90.0	89.2	0.75	0.68	0.56	6.6	2.0	3.0	IE2
IM B3 / IM 1001		FS 132 M		64 kg	IP55	CC032A	IEC/EN 60034		IEC, DIN, ISO, VDE, EN								

Mechanical data		Terminal box	
Sound pressure level 50Hz/60Hz (load)	63 dB(A) 67 dB(A)	Terminal box position	top
Moment of inertia	0.046 kg m ²	Material of terminal box	Aluminium
Bearing DE NDE	6208 2Z C3 6208 2Z C3	Type of terminal box	TB1 H00
Bearing lifetime	40000 h	Contact screw thread	M4
Lubricants	Esso Unirex N3	Max. cross-sectional area	6.0 mm ²
Regreasing device	No	Cable diameter from ... to ...	11.0 mm - 21.0 mm
Grease nipple	- / -	Cable entry	2xM32x1,5
Type of bearing	Preloaded bearing DE	Cable gland	2 plugs
Condensate drainage holes	No	Special design (0)	
External earthing terminal			
Vibration severity grade	A		
Insulation	155(F) to 130(B)		
Duty type	S1		
Direction of rotation	bidirectional		
Frame material	aluminum		
Data of anti condensation heating	- / -		
Coating (paint finish)	Standard paint finish C2		
Color, paint shade	RAL7030		
Motor protection	(A) without (Standard)		
Method of cooling	IC411 - self ventilated, surface cooled		

Environmental conditions	
Ambient temperature	-20 °C - +40 °C
Altitude above sea level	1000 m

刀线管
用文字标注
标注



DIN 332-DR M12
DIN 6885-1

Tolerance	Surface	Material	Weight	Scale
			E	{ }
FSOR E E O O G O C O I	Author	Creator	ÖVS	
	Approval	T a e : ^ & @ } ^ *		
	Department			
	Change Order	MFB		Doc Type /
SIEMENS	Doc. State	€ € € €	Item No	Paper Size OH
© Siemens AG 2018	Revision	Index RS	Doc No	1st Language ^ } 2nd Language â ^
	Project No	E	Ref No	E
				Sheet F of F