



MLFB-Ordering data: 1LE1003-0EC02-2AA4-Z
H03

Motor type: 1AV3090C

Client order no.:

Item no.:

Order no.:

Consignment no.:

Offer no.:

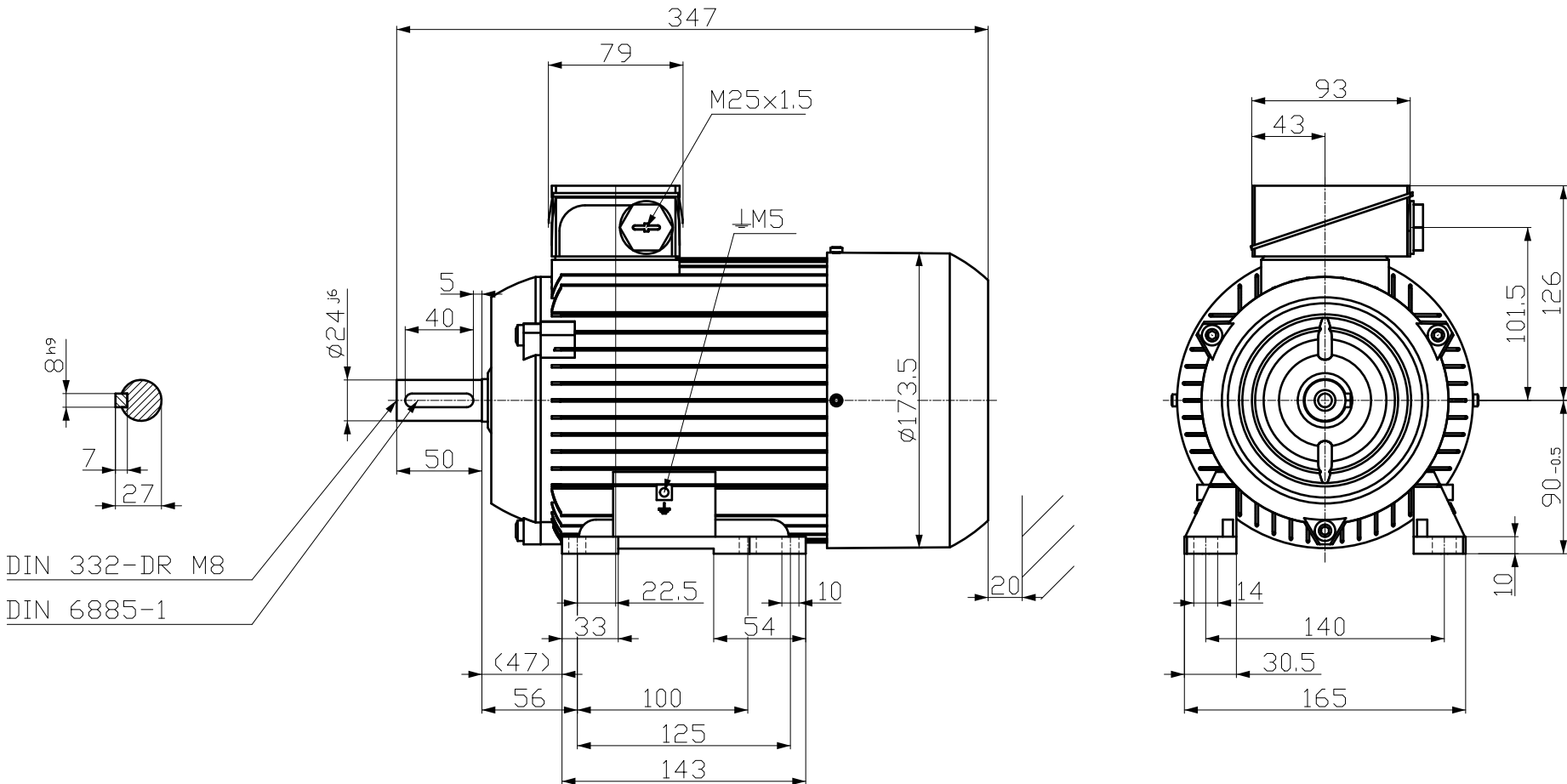
Project:

Remarks:

U [V]	Δ/Y	f [Hz]	P [kW]	P [hp]	I [A]	n [1/min]	M [Nm]	NOM. EFF at ... load [%]			Power factor at ... load			I _A /I _N I/I _N	M _A /M _N T _r /T _N	M _k /M _N T _B /T _N	IE-CL
								4/4	3/4	2/4	4/4	3/4	2/4				
230	Δ	50	0.75	- / -	3.45	945	7.6	78.9	80.0	78.8	0.70	0.62	0.50	4.6	2.2	2.6	IE3
400	Y	50	0.75	- / -	1.96	945	7.6	78.9	80.0	78.8	0.70	0.62	0.50	4.6	2.2	2.6	IE3
460	Y	60	0.86	- / -	1.87	1140	7.2	82.5	83.2	81.7	0.70	0.62	0.50	4.9	2.1	2.7	IE3
460	Y	60	0.75	- / -	1.76	1155	6.2	82.5	82.4	79.9	0.65	0.56	0.44	5.3	2.4	3.1	IE3
IM B3 / IM 1001		FS 90 S		16 kg	IP55	CC032A	IEC/EN 60034		IEC, DIN, ISO, VDE, EN								

Mechanical data		Terminal box	
Sound pressure level 50Hz/60Hz (load)	43 dB(A) 46 dB(A)	Terminal box position	top
Moment of inertia	0.004 kg m ²	Material of terminal box	Aluminium
Bearing DE NDE	6205 2Z C3 6004 2Z C3	Type of terminal box	TB1 E00
Bearing lifetime	40000 h	Contact screw thread	M4
Lubricants	Esso Unirex N3	Max. cross-sectional area	1.5 mm ²
Regreasing device	No	Cable diameter from ... to ...	9.0 mm - 17.0 mm
Grease nipple	- / -	Cable entry	1xM25x1,5
Type of bearing	Preloaded bearing DE	Cable gland	1 plug
Condensate drainage holes	Yes	<div style="border: 1px solid black; padding: 5px; text-align: center;"> Special design H03 Condensation drain holes in end shield </div>	
External earthing terminal	No		
Vibration class	A		
Insulation	155(F) to 130(B)		
Duty type	S1		
Direction of rotation	bidirectional		
Frame material	aluminum		
Data of anti condensation heating	- / -		
Coating	Standard paint finish C2		
Color	RAL7030		
Motor protection	(A) without (Standard)		
Method of cooling	IC411 - self ventilated, surface cooled		

Environmental conditions	
Ambient temperature	-20 °C - +40 °C
Altitude above sea level	1000 m



DIN 332-DR M8
DIN 6885-1

Tolerance	Surface	Material	Weight	Scale
F50FEHÖOÖÖÖÖÖÖ ÖZ	Author	ÖS Tæ: ^æ@`)*	Ë	$\begin{matrix} \varnothing \\ \{ \} \end{matrix}$
P6H	Creator			
	Approval			
	Department			
	Change Order	MFB		Doc Type
SIEMENS	Doc. State	EH EÍ	Item No	Paper Size
	Revision	Index RS	Doc No	1st Language 2nd Language
© Siemens AG 2016	Project No	Ë	Ref No	Ë
				Sheet F of F