

Data sheet for three-phase Squirrel-Cage-Motors SIMOTICS



Motor type : 1CV4310B

SIMOTICS SD - 315 S - IM B3 - 4p

Client order no.	Item-No.	Offer no.
Order no.	Consignment no.	Project
Remarks		

Electrical data

Safe Area

U [V]	Δ / Y	f [Hz]	P [kW]	P [hp]	I [A]	n [1/min]	M [Nm]	η ³⁾			$\cos\phi$ ³⁾			I_A/I_N I_f/I_N	M_A/M_N T_f/T_N	M_K/M_N T_B/T_N	IE-CL	
								4/4	3/4	2/4	4/4	3/4	2/4					
DOL duty (S1) - 155(F) to 130(B)																		
400	Δ	50	110.00	-/-	192.00	1491	700.0	96.3	96.4	96.0	0.86	0.83	0.74	8.6	3.3	3.3	IE4	
690	Y	50	110.00	-/-	111.00	1491	700.0	96.3	96.4	96.0	0.86	0.83	0.74	8.6	3.3	3.3	IE4	
460	Δ	60	110.00	-/-	169.00	1792	590.0	96.2	96.1	95.4	0.85	0.81	0.72	9.7	3.7	3.6	IE4	
460	Δ	60	127.00	-/-	193.00	1790	680.0	96.2	96.2	95.8	0.86	0.83	0.76	8.5	3.2	3.1	IE4	
IM B3 / IM1001			FS 315 S			IP55		UKCA		IEC/EN 60034								
Environmental conditions : -20 °C - +40 °C / 1000 m										Locked rotor time (hot / cold) : 31 s 44.4 s								

Mechanical data

Sound level (SPL / SWL) at 50Hz 60Hz	66 / 80 dB(A) ^{2) 3)}	71 / 85 dB(A) ^{2) 3)}	External earthing terminal	(Standard) Yes
Moment of inertia	2.7400 kg m ²		Vibration severity grade	Grade A
Bearing DE NDE	6319 C3		Thermal class	F
permissible lateral force on (N)	$X_{0:}$ 9300	$X_{0.5:}$ 8650	$X_{max:}$ 8000	Duty type
bearing lifetime	40000 h		32000 h	Direction of rotation
L_{10mh} $F_{Rad, min}$ for coupling operation 50 60Hz ¹⁾				bidirectional
Relubrication interval/quantity DE NDE	40 g 40 g 6000 h		Frame material	cast iron
Lubricants	UNIREX N3		Net weight of the motor	922 kg
Regreasing device	(Standard) Flat type lubricating nipple acc. DIN 3404		Coating (paint finish)	Special paint finish C3
Grease nipple	M10x1 DIN 3404 A		Color, paint shade	RAL7030
Type of bearing	Locating bearing DE		Motor protection	3 PTC thermistors - for tripping (2 terminals)
Bearing insulation DE / Bearing insulation NDE	Yes (Non-drive end)		Method of cooling	IC411 - self ventilated, surface cooled
Condensate drainage holes	(Standard) Yes		'SIMOTICS Connect 400' in IP65	Yes

Terminal box

Terminal box position	box at the top	Max. cross-sectional area	240 mm ²
Material of terminal box	cast iron	Cable diameter from ... to ...	34 mm - 45 mm
Type of terminal box	TB1Q01	Cable entry	2xM63x1,5 - 2xM20x1,5
Contact screw thread	6xM12	Cable gland	4 plugs

Notes:

I_A/I_N = locked rotor current / current nominal
 M_A/M_N = locked rotor torque / torque nominal
 M_K/M_N = break down torque / nominal torque

1) L10mh according to DIN ISO 281 10/2010
 2) at rated power / at full load
 3) Value is valid only for DOL operation with motor design IC411

responsible dep. DI MC LVM	technical reference	created by DT Configurator	approved by	<i>Technical data are subject to change! There may be discrepancies between calculated and rating plate values.</i>	Link documents
	document type datasheet	document status released			
	title 1LE5504-3AB03-4AB4-Z G81+L51+M11+S02	document number			
© Siemens AG 2023	rev. 943	creation date 2023-07-13	language en		

Data sheet for three-phase Squirrel-Cage-Motors SIMOTICS




Motor type : 1CV4310B

SIMOTICS SD - 315 S - IM B3 - 4p

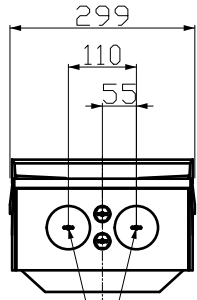
Special design

G81	Installation of SIMOTICS CONNECT 400	M11	Stainless steel rating plate
L51	Bearing insulation NDE	S02	Special paint finish C3

Notes:

responsible dep. DI MC LVM	technical reference	created by DT Configurator	approved by	<i>Technical data are subject to change! There may be discrepancies between calculated and rating plate values.</i>	Link documents
SIEMENS	document type datasheet	document status released			
	title 1LE5504-3AB03-4AB4-Z G81+L51+M11+S02	document number			
© Siemens AG 2023	rev. 943	creation date 2023-07-13	language en	Page 2/2	

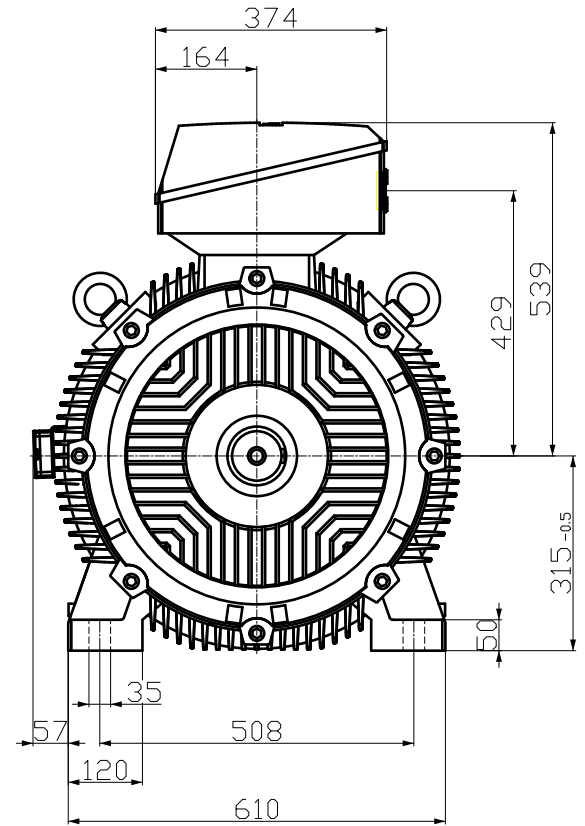
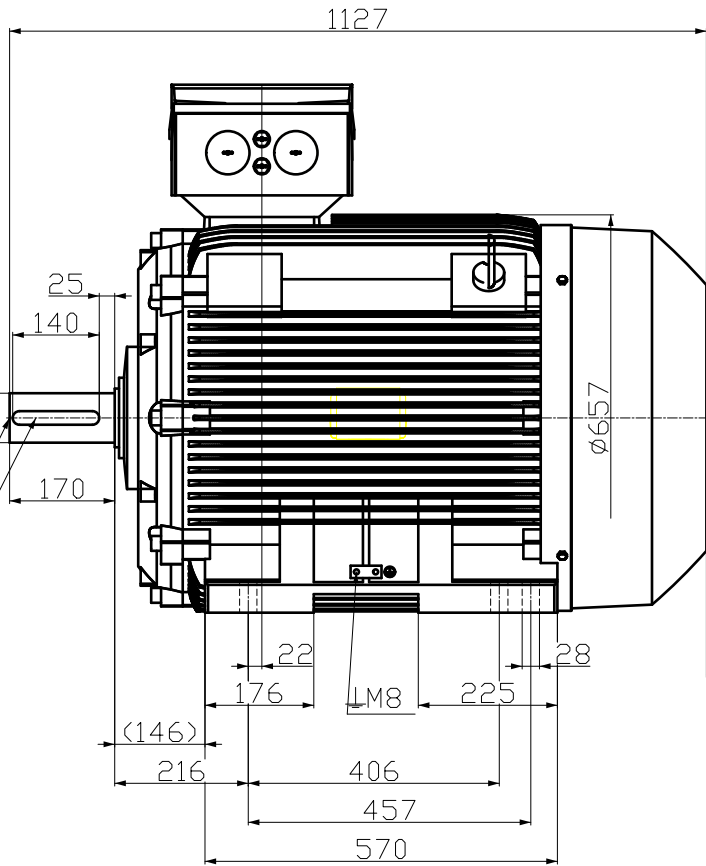
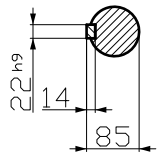
Terminal box -
Front view



2xM63x1.5

DIN 332-DS M20

DIN 6885-1



Tolerance	Surface	Material	Weight	Scale
F50 í e ð ó e ð ó ð ð	Author	ÖS	È	{ {
ÖI FÉSI FÉT FFÉÜEG	Creator	ÖVS		
	Approval	T æ : ^ æ @ } *		
	Department			
	Change Order	MLFB		Doc Type
	Doc. State	Í F H H		Paper Size
	Revision	Index RS		1st Language
				2nd Language
© Siemens AG 2023	Project No	È	Ref No	È
				Sheet F of F

V&@ a&@A) aV) *^ A[í a @e) A
V&@ B&@a&@A * a b 8&@ A&@ *^A

SIEMENS

Vertical text on the left margin, likely a barcode or identification code.

Vertical text on the right margin, likely a barcode or identification code.