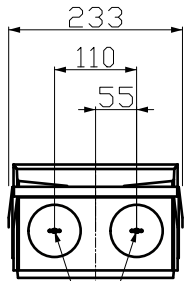


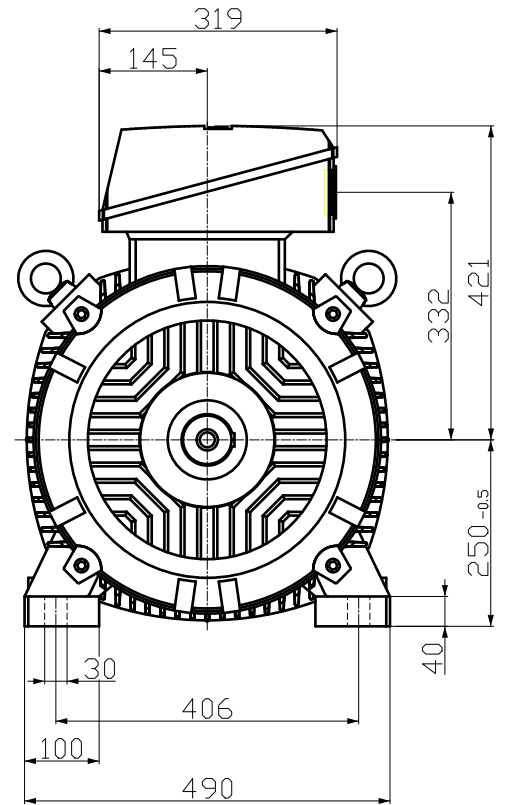
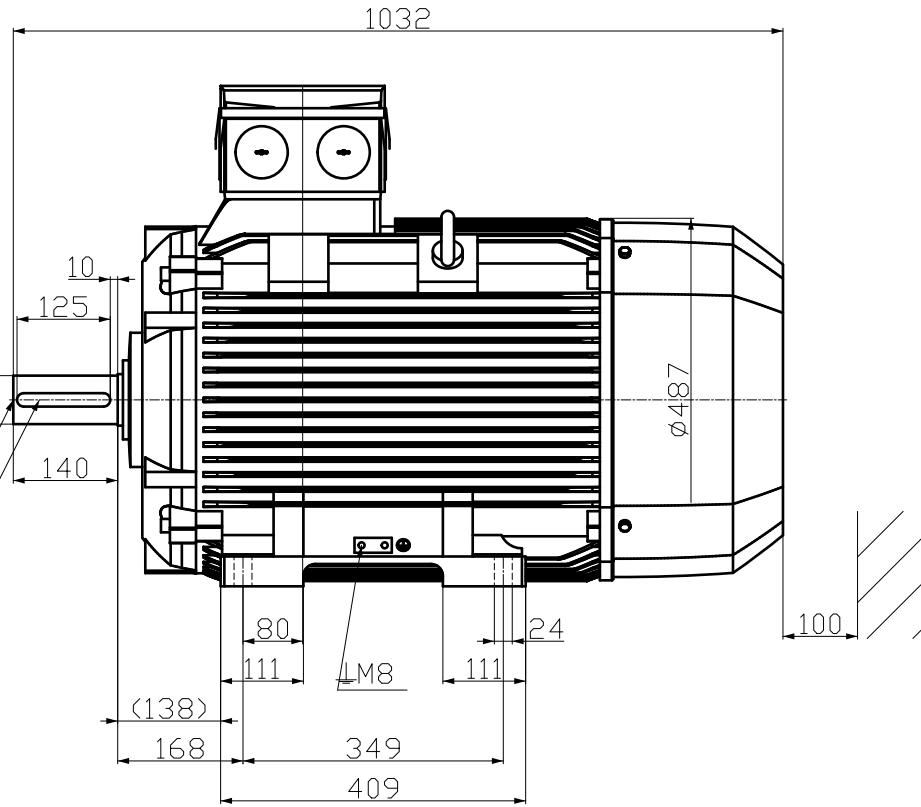
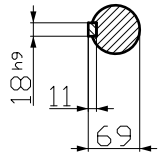
Terminal box -
Front view



2xM63x1.5

DIN 332-DS M20

DIN 6885-1



| Tolerance | Surface | Material | Weight | Scale |
|--------------------------------------|---|----------------------|-----------|--------------|
| F50I í eí E00I HÉ ODI EZ T FFÉUEG | Author Creator Approval Department Change Order | ÖS T æ : ^æ@` } * | E | { { |
| SIEMENS | Doc. State | Item No | Doc. Type | |
| | Revision | Index | Doc No | Paper Size |
| | Project No | E | Ref No | 1st Language |
| | | | | 2nd Language |
| © INNOMOTICS 2023 | | | | Sheet F of F |

V&@a&@A) aV) *^A [i a @e) A
V&@B&@a&@A * a b 8&@ &@ *^A