



MLFB-Ordering data: **1LE1603-2AB52-2AB4**

Motor type: **1CV3205B**

Client order no.:

Item no.:

Order no.:

Consignment no.:

Offer no.:

Project:

Remarks:

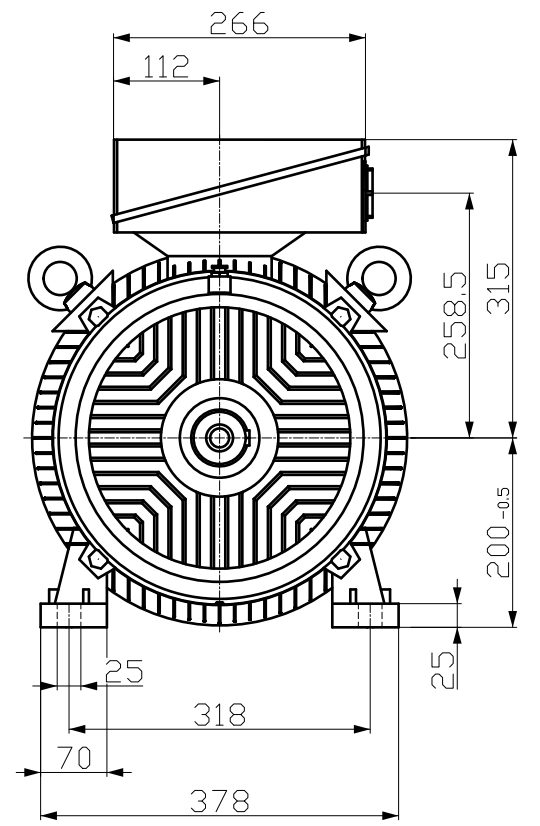
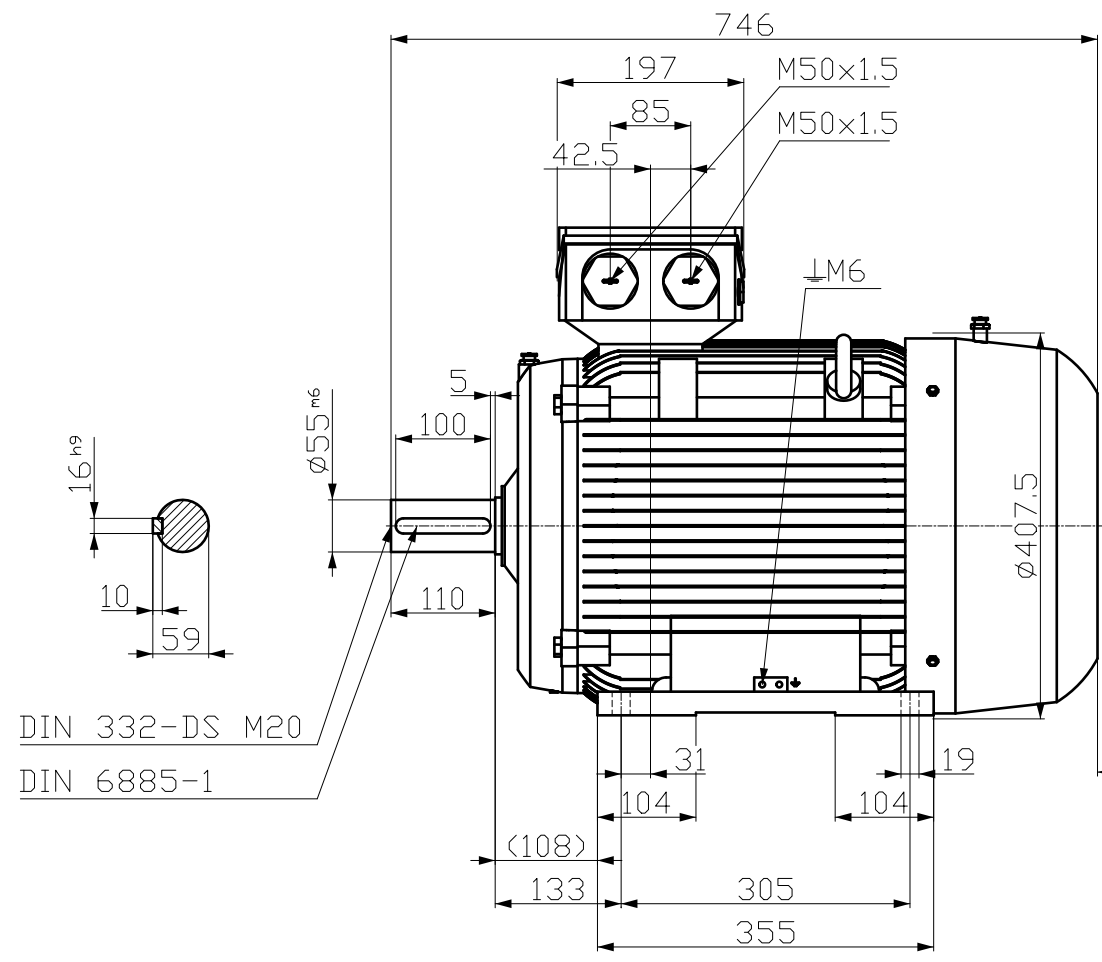
U [V]	Δ/Y	f [Hz]	P [kW]	P [hp]	I [A]	n [1/min]	M [Nm]	NOM. EFF at ... load [%]			Power factor at ... load			I _A /I _N I _B /I _N	M _A /M _N T _A /T _N	M _B /M _N T _B /T _N	IE-CL
								4/4	3/4	2/4	4/4	3/4	2/4				
230	Δ	50	30.00	- / -	96.00	1470	195.0	93.6	94.0	93.7	0.84	0.80	0.71	7.3	2.6	3.1	IE3
400	Y	50	30.00	- / -	55.00	1470	195.0	93.6	94.0	93.7	0.84	0.80	0.71	7.3	2.6	3.1	IE3
460	Y	60	34.50	- / -	55.00	1770	186.0	93.0	93.3	92.9	0.85	0.81	0.73	7.3	2.4	3.0	IE2
460	Y	60	30.00	- / -	48.00	1778	161.0	94.1	94.2	93.6	0.83	0.79	0.70	8.8	2.6	3.5	IE3
IM B3 / IM 1001		FS 200 L		240 kg	IP55	CC032A	IEC/EN 60034		IEC, DIN, ISO, VDE, EN								

Mechanical data		Terminal box	
Sound pressure level 50Hz/60Hz (load)	65 dB(A) 67 dB(A)	Terminal box position	top
Moment of inertia	0.24 kg m ²	Material of terminal box	cast iron
Bearing DE NDE	6312 C3 6312 C3	Type of terminal box	TB1 L01
Relubrication interval/quantity	10 g 10 g 8000 h	Contact screw thread	M6
Lubricants	Esso Unirex N3	Max. cross-sectional area	25.0 mm ²
Regreasing device	Yes (standard)	Cable diameter from ... to ...	27.0 mm - 35.0 mm
Grease nipple	M10x1 DIN 3404 A	Cable entry	2xM50x1,5-2xM20x1,5
Type of bearing	Locating bearing NDE	Cable gland	3 plugs
Condensate drainage holes	Yes (standard)	Special design (0)	
External earthing terminal	Yes (standard)		
Vibration class	A		
Insulation	155(F) to 130(B)		
Duty type	S1		
Direction of rotation	bidirectional		
Frame material	cast iron		
Data of anti condensation heating	-/-		
Coating (paint finish)	Special paint finish C3		
Color, paint shade	RAL7030		
Motor protection	(B) 3 PTC thermistors - for tripping (standard) (2 terminals)		
Method of cooling	IC411 - self ventilated, surface cooled		

Environmental conditions	
Ambient temperature	-20 °C - +40 °C
Altitude above sea level	1000 m

刀线管
用文金路
积

01. 02. 03. 04. 05. 06. 07. 08. 09. 10. 11. 12. 13. 14. 15. 16. 17. 18. 19. 20. 21. 22. 23. 24. 25. 26. 27. 28. 29. 30. 31. 32. 33. 34. 35. 36. 37. 38. 39. 40. 41. 42. 43. 44. 45. 46. 47. 48. 49. 50. 51. 52. 53. 54. 55. 56. 57. 58. 59. 60. 61. 62. 63. 64. 65. 66. 67. 68. 69. 70. 71. 72. 73. 74. 75. 76. 77. 78. 79. 80. 81. 82. 83. 84. 85. 86. 87. 88. 89. 90. 91. 92. 93. 94. 95. 96. 97. 98. 99. 100.



| Tolerance | Surface | Material | Weight | Scale |
|-------------------|--------------|-----------------|--------|-----------------|
| F50FI E | Author | ÖVS | E | { { |
| | Creator | ÖVS | | |
| | Approval | T a : ^ & @ } * | | |
| | Department | | | |
| | Change Order | MFB | | Doc Type |
| | Doc. State | CSFI | | Paper Size CH |
| | Revision | Index RS | | 1st Language ^ |
| | | | | 2nd Language a^ |
| © Siemens AG 2018 | Project No | E | Ref No | E |
| | | | | Sheet F of F |