



MLFB-Ordering data: **1LE1003-2AB53-4AA4**

Motor type: **1AV3205B**

Client order no.:

Item no.:

Order no.:

Consignment no.:

Offer no.:

Project:

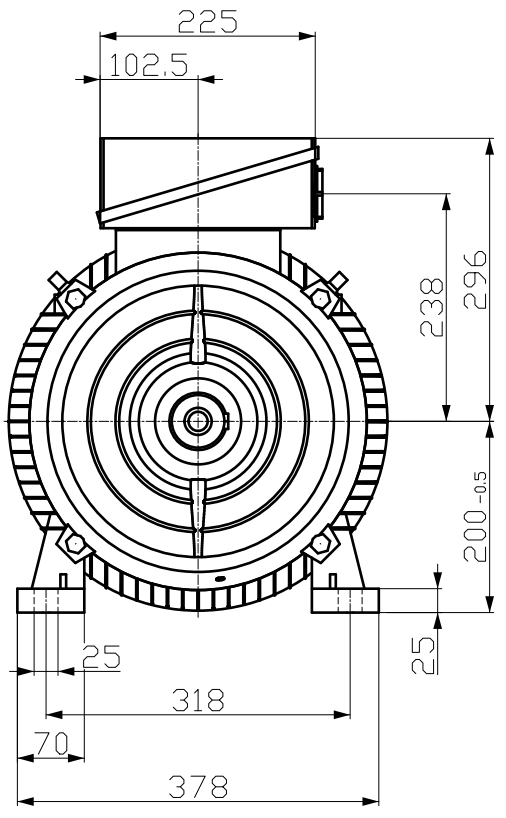
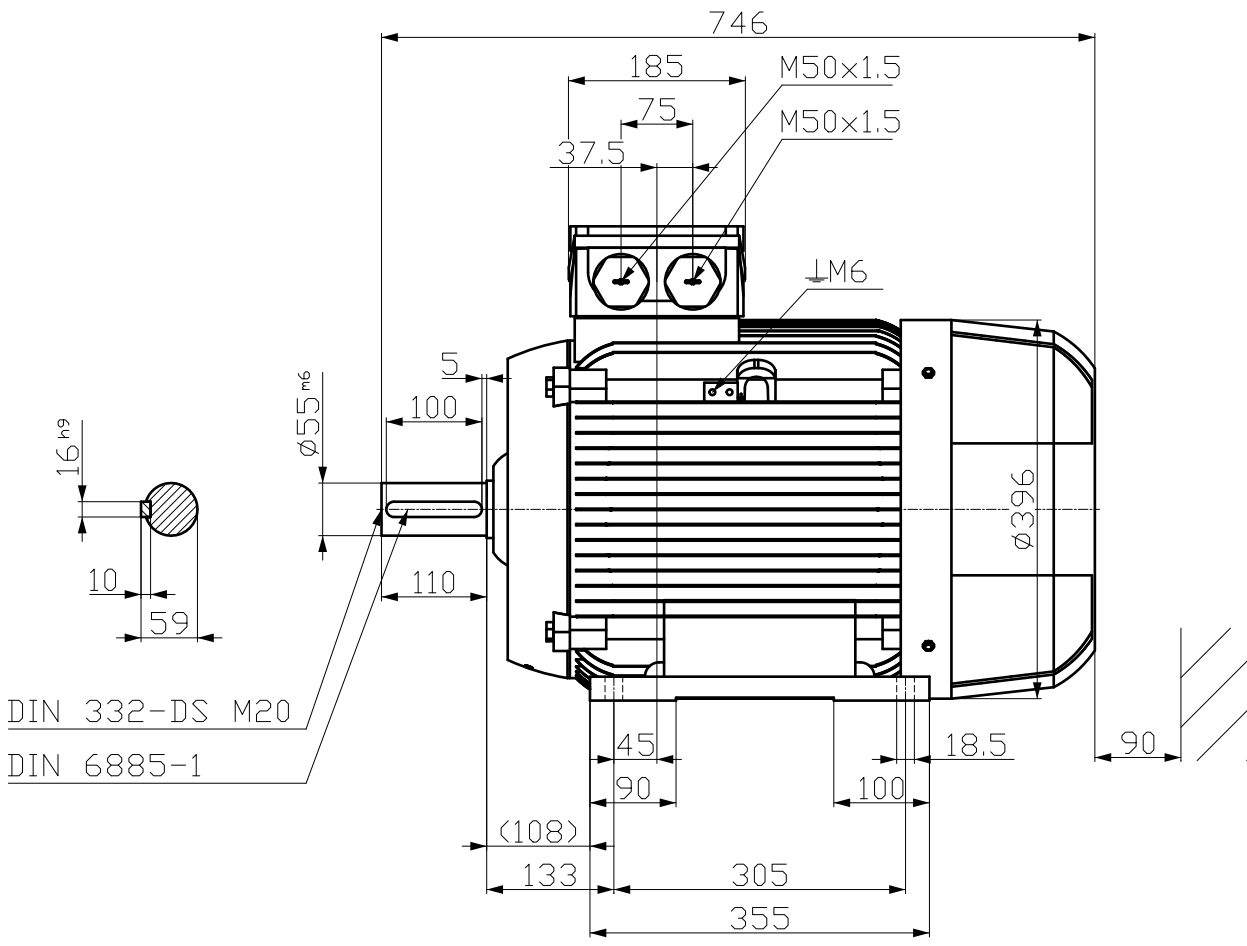
Remarks:

U [V]	Δ/Y	f [Hz]	P [kW]	P [hp]	I [A]	n [1/min]	M [Nm]	NOM. EFF at ... load [%]			Power factor at ... load			I _A /I _N I/I _N	M _A /M _N T _f /T _N	M _k /M _N T _B /T _N	IE-CL
								4/4	3/4	2/4	4/4	3/4	2/4				
400	Δ	50	30.00	- / -	55.00	1470	195.0	93.6	94.0	93.7	0.84	0.80	0.71	7.3	2.6	3.1	IE3
690	Y	50	30.00	- / -	32.00	1470	195.0	93.6	94.0	93.7	0.84	0.80	0.71	7.3	2.6	3.1	IE3
460	Δ	60	34.50	- / -	55.00	1770	186.0	93.0	93.3	92.9	0.85	0.81	0.73	7.3	2.4	3.0	IE2
460	Δ	60	30.00	- / -	48.00	1778	161.0	94.1	94.2	93.6	0.83	0.79	0.70	8.8	2.6	3.5	IE3
IM B3 / IM 1001		FS 200 L		189 kg	IP55	CC032A	IEC/EN 60034		IEC, DIN, ISO, VDE, EN								

Mechanical data			Terminal box	
Sound pressure level 50Hz/60Hz (load)	65 dB(A)	67 dB(A)	Terminal box position	top
Moment of inertia	0.24 kg m ²		Material of terminal box	Aluminium
Bearing DE NDE	6212 Z C3	6212 Z C3	Type of terminal box	TB1 L00
Bearing lifetime	40000 h		Contact screw thread	M6
Lubricants	Esso Unirex N3		Max. cross-sectional area	25.0 mm ²
Regreasing device	No		Cable diameter from ... to ...	27.0 mm - 35.0 mm
Grease nipple	- / -		Cable entry	2xM50x1,5
Type of bearing	Locating bearing NDE		Cable gland	2 plugs
Condensate drainage holes	No		Special design (0)	
External earthing terminal	No			
Vibration class	A			
Insulation	155(F) to 130(B)			
Duty type	S1			
Direction of rotation	bidirectional			
Frame material	aluminum			
Data of anti condensation heating	-/-			
Coating (paint finish)	Standard paint finish C2			
Color, paint shade	RAL7030			
Motor protection	(A) without (Standard)			
Method of cooling	IC411 - self ventilated, surface cooled			

Environmental conditions	
Ambient temperature	-20 °C - +40 °C
Altitude above sea level	1000 m

刀线管
 用文全
 图
 积
 01
 02
 03
 04
 05
 06
 07
 08
 09
 10
 11
 12
 13
 14
 15
 16
 17
 18
 19
 20
 21
 22
 23
 24
 25
 26
 27
 28
 29
 30
 31
 32
 33
 34
 35
 36
 37
 38
 39
 40
 41
 42
 43
 44
 45
 46
 47
 48
 49
 50
 51
 52
 53
 54
 55
 56
 57
 58
 59
 60
 61
 62
 63
 64
 65
 66
 67
 68
 69
 70
 71
 72
 73
 74
 75
 76
 77
 78
 79
 80
 81
 82
 83
 84
 85
 86
 87
 88
 89
 90
 91
 92
 93
 94
 95
 96
 97
 98
 99
 100



DIN 332-DS M20
 DIN 6885-1

Tolerance	Surface	Material	Weight	Scale
F50FE001 H1 C01	Author	ÖS	1.0	1:1
E	Creator	T a : ^ & @ } *		
	Approval			
	Department			
	Change Order	MFB		Doc Type
	Doc State	GFEJEI		Paper Size
	Revision	Index RS		1st Language
				2nd Language
© Siemens AG 2016	Project No	E	Ref No	E
				Sheet
				F of F