



MLFB-Ordering data: **1LE1603-1EB22-2AB4**

Motor type: **1CV3182B**

Client order no.:

Item no.:

Order no.:

Consignment no.:

Offer no.:

Project:

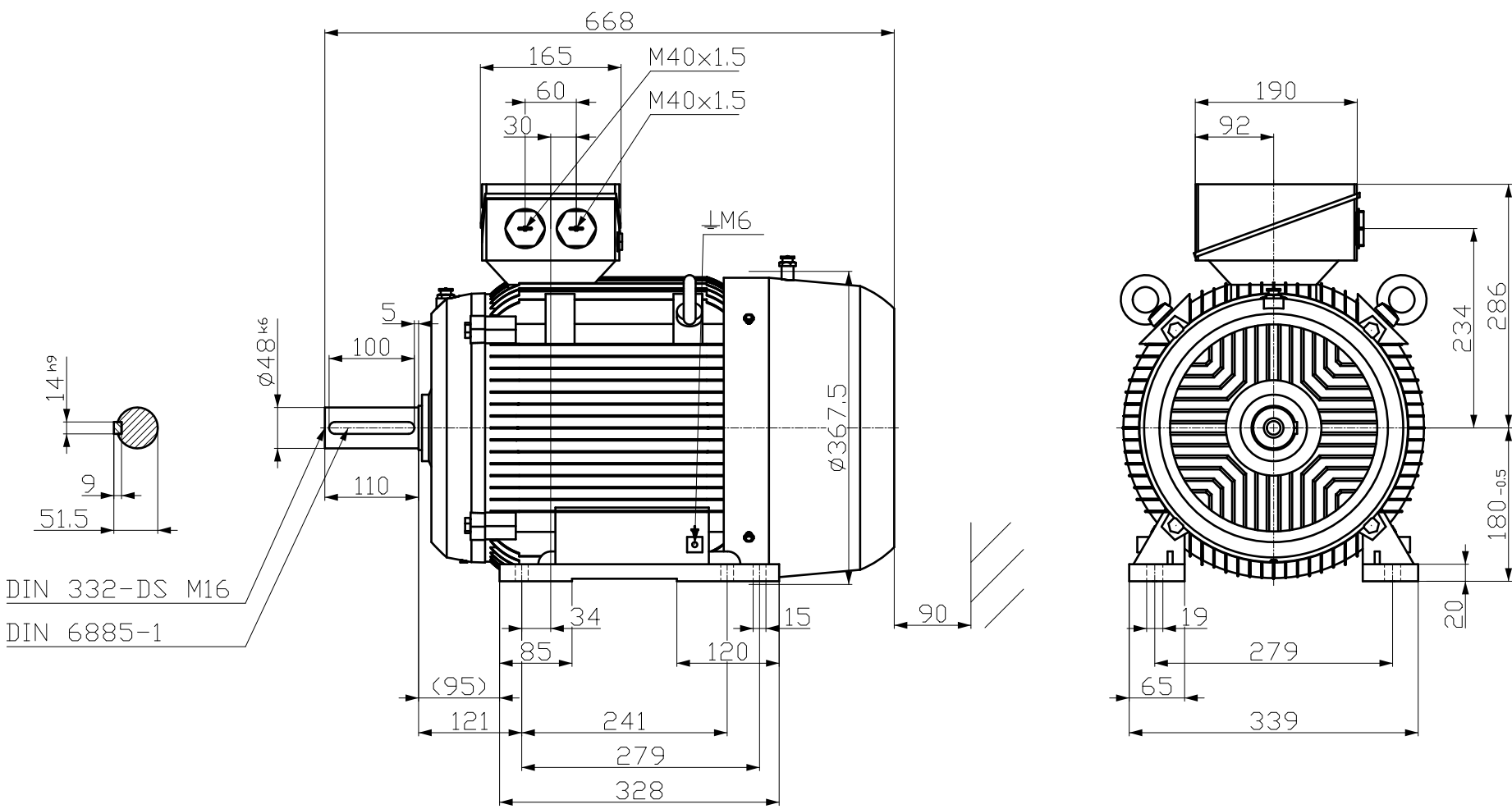
Remarks:

U [V]	Δ/Y	f [Hz]	P [kW]	P [hp]	I [A]	n [1/min]	M [Nm]	NOM. EFF at ... load [%]			Power factor at ... load			I _A /I _N I _A /I _N	M _A /M _N T _f /T _N	M _k /M _N T _B /T _N	IE-CL
								4/4	3/4	2/4	4/4	3/4	2/4				
230	Δ	50	18.50	- / -	62.00	1470	120.0	92.6	93.1	92.9	0.82	0.77	0.68	7.2	2.5	3.3	IE3
400	Y	50	18.50	- / -	35.00	1470	120.0	92.6	93.1	92.9	0.82	0.77	0.68	7.2	2.5	3.3	IE3
460	Y	60	21.30	- / -	34.50	1770	115.0	93.6	94.0	93.6	0.83	0.79	0.70	7.2	2.4	3.2	IE3
460	Y	60	18.50	- / -	30.50	1775	100.0	93.6	93.6	92.7	0.81	0.74	0.62	8.7	2.6	3.8	IE3
IM B3 / IM 1001		FS 180 M		165 kg	IP55	CC032A	IEC/EN 60034		IEC, DIN, ISO, VDE, EN								

Mechanical data		Terminal box	
Sound pressure level 50Hz/60Hz (load)	66 dB(A) 68 dB(A)	Terminal box position	top
Moment of inertia	0.13 kg m ²	Material of terminal box	cast iron
Bearing DE NDE	6310 C3 6310 C3	Type of terminal box	TB1 J01
Relubrication interval/quantity	10 g 10 g 8000 h	Contact screw thread	M5
Lubricants	Esso Unirex N3	Max. cross-sectional area	16.0 mm ²
Regreasing device	Yes (standard)	Cable diameter from ... to ...	19.0 mm - 28.0 mm
Grease nipple	M10x1 DIN 3404 A	Cable entry	2xM40x1,5-1xM16x1,5
Type of bearing	Locating bearing NDE	Cable gland	3 plugs
Condensate drainage holes	Yes (standard)	Special design (0)	
External earthing terminal	Yes (standard)		
Vibration class	A		
Insulation	155(F) to 130(B)		
Duty type	S1		
Direction of rotation	bidirectional		
Frame material	cast iron		
Data of anti condensation heating	-/-		
Coating (paint finish)	Special paint finish C3		
Color, paint shade	RAL7030		
Motor protection	(B) 3 PTC thermistors - for tripping (standard) (2 terminals)		
Method of cooling	IC411 - self ventilated, surface cooled		

Environmental conditions	
Ambient temperature	-20 °C - +40 °C
Altitude above sea level	1000 m

刀线管
 用文全
 图
 积
 01
 02
 03
 04
 05
 06
 07
 08
 09
 10
 11
 12
 13
 14
 15
 16
 17
 18
 19
 20
 21
 22
 23
 24
 25
 26
 27
 28
 29
 30
 31
 32
 33
 34
 35
 36
 37
 38
 39
 40
 41
 42
 43
 44
 45
 46
 47
 48
 49
 50
 51
 52
 53
 54
 55
 56
 57
 58
 59
 60
 61
 62
 63
 64
 65
 66
 67
 68
 69
 70
 71
 72
 73
 74
 75
 76
 77
 78
 79
 80
 81
 82
 83
 84
 85
 86
 87
 88
 89
 90
 91
 92
 93
 94
 95
 96
 97
 98
 99
 100



DIN 332-DS M16
 DIN 6885-1

Tolerance	Surface	Material	Weight	Scale
F50F1 E#000000	Author	ÖVS	E	{ { }
E	Creator	T æ : ^ & @ } *		
	Approval			
	Department			
	Change Order	MFB		Doc Type
	Doc. State	FF#FF#		Paper Size
	Revision	Index RS		1st Language
				2nd Language
© Siemens AG 2016	Project No	E	Ref No	E
				Sheet F of F

SIEMENS