

Data sheet for three-phase Squirrel-Cage-Motors SIMOTICS



Motor type : 1AV3130B

SIMOTICS GP - 132 S - IM B3 - 4p

Client order no.	Item-No.	Offer no.
Order no.	Consignment no.	Project
Remarks		

Electrical data

Safe Area

U [V]	Δ / Y	f [Hz]	P [kW]	P [hp]	I [A]	n [1/min]	M [Nm]	η ³⁾			$\cos\phi$ ³⁾			I_A/I_N I_i/I_N	M_A/M_N T_i/T_N	M_K/M_N T_B/T_N	IE-CL
								4/4	3/4	2/4	4/4	3/4	2/4				
DOL duty (S1) - 155(F) to 130(B)																	
400	Δ	50	5.50	-/-	10.80	1470	35.5	89.6	90.0	89.4	0.82	0.77	0.67	8.5	2.9	3.7	IE3
690	Y	50	5.50	-/-	6.30	1470	35.5	89.6	90.0	89.4	0.82	0.77	0.67	8.5	2.9	3.7	IE3
460	Δ	60	6.30	-/-	10.40	1770	34.0	91.7	92.0	91.3	0.83	0.79	0.69	8.7	2.7	3.7	IE3
460	Δ	60	5.50	-/-	9.30	1775	29.5	91.7	91.6	90.5	0.81	0.76	0.65	10.0	3.1	4.2	IE3
IM B3 / IM 1001		FS 132 S		IP55		IEC/EN 60034		IEC, DIN, ISO, VDE, EN									
Environmental conditions : -20 °C - +40 °C / 1000 m									Locked rotor time (hot / cold) : 22 s 28.1 s								

Mechanical data

Sound level (SPL / SWL) at 50Hz 60Hz	64 / 76 dB(A) ²⁾	68 / 80 dB(A) ²⁾	Vibration severity grade	A
Moment of inertia	0.0340 kg m ²		Thermal class	F
Bearing DE NDE	6208 2Z C3	6208 2Z C3	Duty type	S1
bearing lifetime			Direction of rotation	bidirectional
L_{10mh} , F_{Rad} , m_{min} 50 60Hz Lubricants	40000 h	32000 h	Frame material	aluminum
Regreasing device	Unirex N3		Net weight of the motor (IM B3)	54 kg
Grease nipple	No		Coating (paint finish)	Standard paint finish C2
Type of bearing	Preloaded bearing DE		Color, paint shade	RAL7030
Condensate drainage holes	No		Motor protection	(A) without (Standard)
External earthing terminal	No		Method of cooling	IC411 - self ventilated, surface cooled

Terminal box

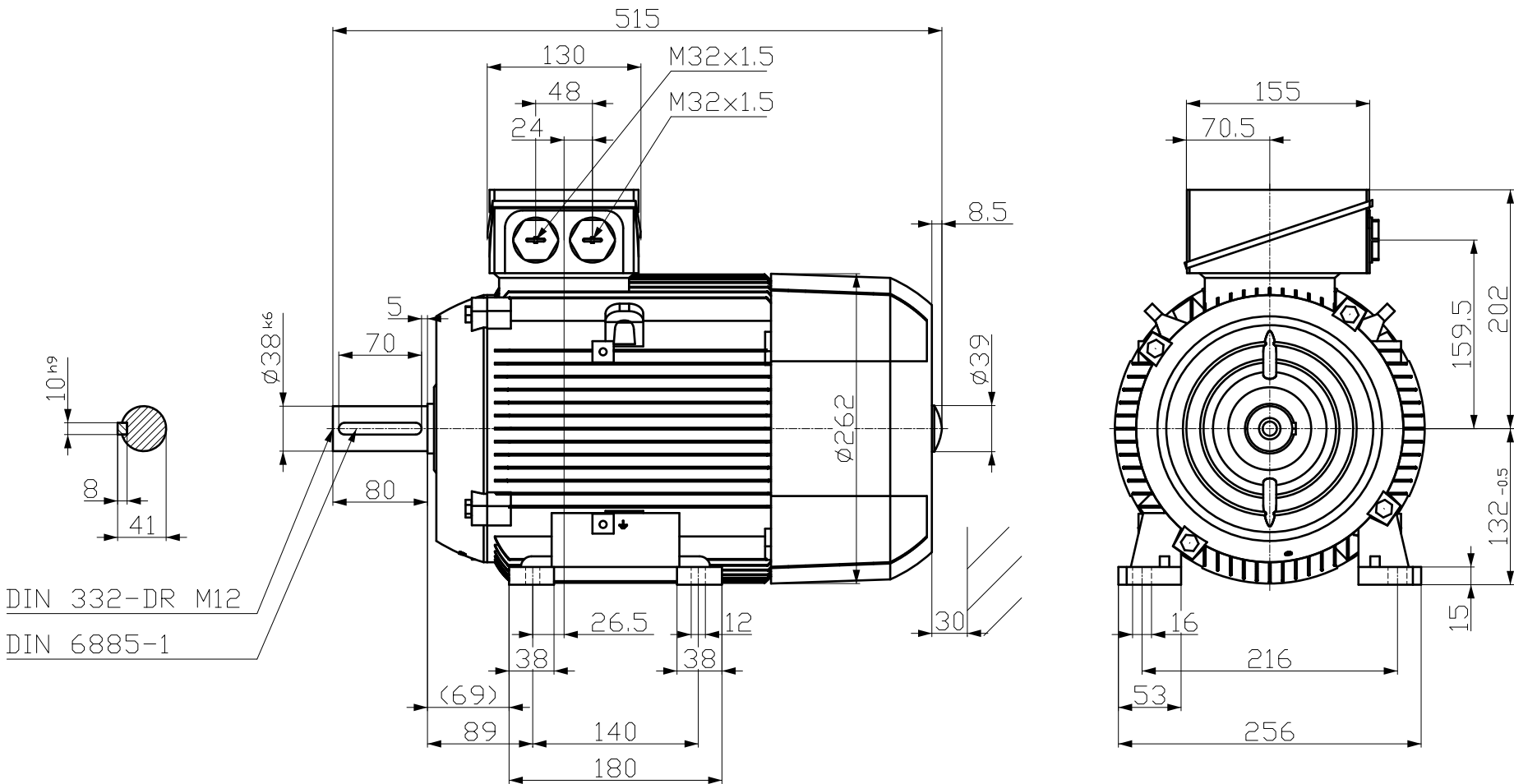
Terminal box position	top	Max. cross-sectional area	6 mm ²
Material of terminal box	Aluminium	Cable diameter from ... to ...	11 mm - 21 mm
Type of terminal box	TB1 H00	Cable entry	2xM32x1,5
Contact screw thread	M4	Cable gland	2 plugs

Notes:

I_A/I_N = locked rotor current / current nominal
 M_A/M_N = locked rotor torque / torque nominal
 M_K/M_N = break down torque / nominal torque
 1) L10mh according to DIN ISO 281 10/2010
 2) at rated power / at full load
 3) Value is valid only for DOL operation with motor design IC411

responsible dep. DI MC LVM	technical reference	created by DT Configurator	approved by	<i>Technical data are subject to change! There may be discrepancies between calculated and rating plate values.</i>	Link documents
	document type datasheet	document status released			
	title 1LE1003-1CB03-4AA4	document number			
© Siemens AG 2021	rev. 01	creation date 2021-12-13	language en		

刀痕等
 用文字
 标注
 说明
 尺寸
 公差
 形位
 公差
 表面
 粗糙
 度等
 技术要求
 应符合
 图样
 标注
 及
 国家
 标准
 规定
 执行
 未注
 公差
 尺寸
 按
 GB
 1804
 M
 执行
 未注
 形位
 公差
 按
 GB
 1184
 M
 执行
 未注
 表面
 粗糙
 度
 按
 GB
 131
 M
 执行
 未注
 材料
 按
 GB
 4478
 M
 执行
 未注
 热处理
 按
 GB
 4717
 M
 执行
 未注
 检验
 按
 GB
 2828
 M
 执行
 未注
 包装
 按
 GB
 9844
 M
 执行
 未注
 油漆
 按
 GB
 6808
 M
 执行
 未注
 运输
 按
 GB
 191
 M
 执行
 未注
 贮存
 按
 GB
 3486
 M
 执行
 未注
 其他
 技术要求
 按
 图样
 标注
 及
 国家
 标准
 规定
 执行



Tolerance	Surface	Material	Weight	Scale
F50	Ø	F50	E	1:1
Author	Creator	Approval	1:1 1:1	
Creator	ÖVS	Approval	1:1 1:1	
Department	Change Order	Material	Weight	Scale
Change Order	Doc. State	Material	Weight	Scale
Doc. State	Revision	Material	Weight	Scale
Revision	Index	Material	Weight	Scale
Index	Project No.	Material	Weight	Scale
Project No.	Ref No.	Material	Weight	Scale
Ref No.	Doc. Type	Material	Weight	Scale
Doc. Type	Paper Size	Material	Weight	Scale
Paper Size	1st Language	Material	Weight	Scale
1st Language	2nd Language	Material	Weight	Scale
2nd Language	Sheet	Material	Weight	Scale
Sheet	F of F	Material	Weight	Scale

SIEMENS
 © Siemens AG 2018