



MLFB-Ordering data: **1LE1503-1AB42-2FA4-Z
F74**

Motor type: **1CV3104B**

Client order no.:

Item no.:

Order no.:

Consignment no.:

Offer no.:

Project:

Remarks:

U [V]	Δ/Y	f [Hz]	P [kW]	P [hp]	I [A]	n [1/min]	M [Nm]	NOM. EFF at ... load [%]			Power factor at ... load			I _A /I _N I _B /I _N	M _A /M _N T _f /T _N	M _k /M _N T _B /T _N	IE-CL
								4/4	3/4	2/4	4/4	3/4	2/4				
230	Δ	50	2.20	- / -	7.70	1465	14.0	86.7	87.3	86.4	0.83	0.77	0.66	7.6	2.1	3.6	IE3
400	Y	50	2.20	- / -	4.40	1465	14.0	86.7	87.3	86.4	0.83	0.77	0.66	7.6	2.1	3.6	IE3
460	Y	60	2.54	- / -	4.35	1760	14.0	87.5	87.9	87.1	0.84	0.79	0.68	7.7	2.2	3.7	IE2
460	Y	60	2.20	- / -	3.90	1770	12.0	87.5	87.4	85.8	0.81	0.75	0.63	8.7	2.5	4.3	IE2
IM B5 / IM 3001		FS 100 L		40 kg	IP55	CC032A	IEC/EN 60034		IEC, DIN, ISO, VDE, EN								

Mechanical data		Terminal box	
Sound pressure level 50Hz/60Hz (load)	60 dB(A) 62 dB(A)	Terminal box position	top
Moment of inertia	0.014 kg m ²	Material of terminal box	cast iron
Bearing DE NDE	6206 2Z C3 6206 2Z C3	Type of terminal box	TB1 F01
Bearing lifetime	40000 h	Contact screw thread	M4
Lubricants	Esso Unirex N3	Max. cross-sectional area	4.0 mm ²
Regreasing device	No	Cable diameter from ... to ...	11.0 mm - 21.0 mm
Grease nipple	- / -	Cable entry	2xM32x1,5
Type of bearing	Preloaded bearing DE	Cable gland	2 plugs
Condensate drainage holes	Yes (standard)	<div style="border: 1px solid black; padding: 5px; text-align: center;"> Special design (1) F74 Sheet steel fan cowl </div>	
External earthing terminal			
Vibration severity grade	A		
Insulation	155(F) to 130(B)		
Duty type	S1		
Direction of rotation	bidirectional		
Frame material	cast iron		
Data of anti condensation heating	- / -		
Coating (paint finish)	Standard paint finish C2		
Color, paint shade	RAL7030		
Motor protection	(A) without (Standard)		
Method of cooling	IC411 - self ventilated, surface cooled		

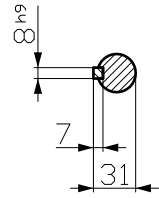
Environmental conditions	
Ambient temperature	-20 °C - +40 °C
Altitude above sea level	1000 m

刀线
用文
图
积

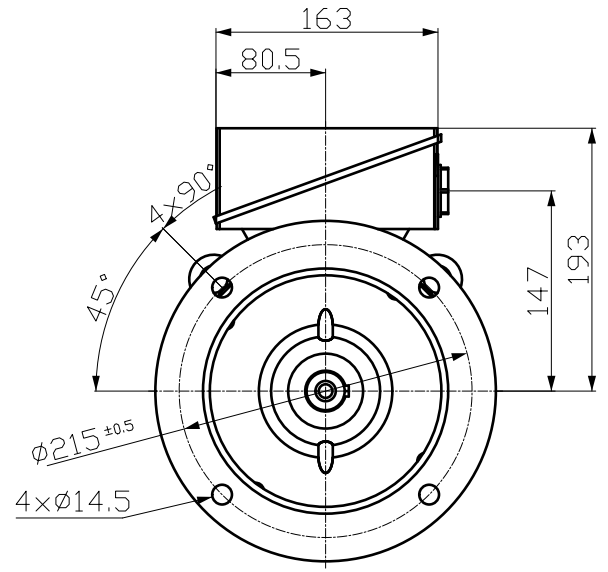
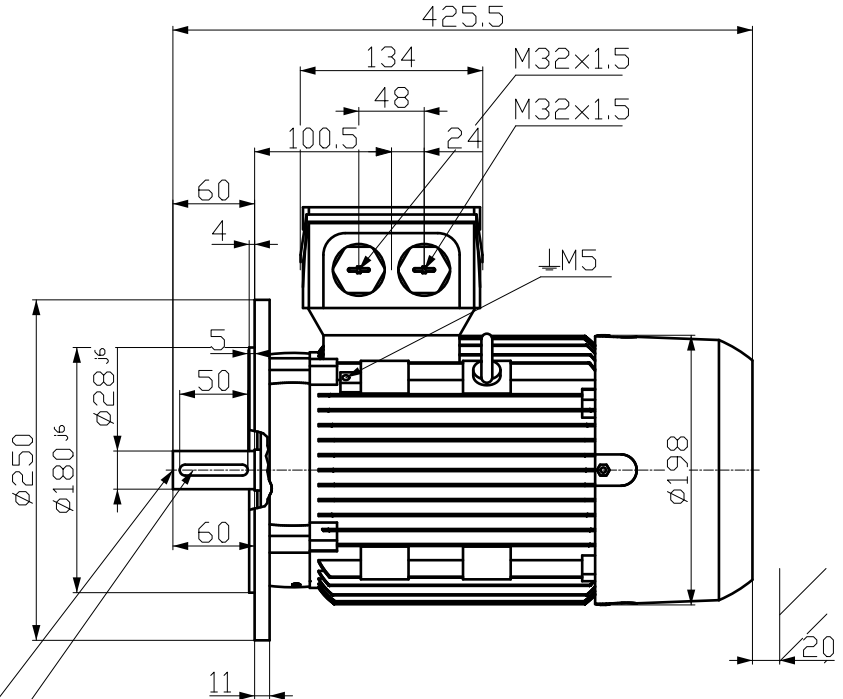
刀线
用文
图
积

刀线
用文
图
积

刀线
用文
图
积



DIN 332-DR M10
DIN 6885-1



Tolerance	Surface	Material	Weight	Scale
F50 F100 G300 E	Author	ÖVS	1.0	1:1
Ø1	Creator			
	Approval			
	Department			
	Change Order	MFB		Doc Type
	Doc. State	FF	Item No	Paper Size
	Revision	Index RS	Doc No	1st Language 2nd Language
© Siemens AG 2018	Project No	E	Ref No	E

SIEMENS

A
B
C
D
E
F