



MLFB-Ordering data: 1LE1003-0DB32-2FA4-Z
H03

Motor type: 1AV3083B

Client order no.:

Item no.:

Order no.:

Consignment no.:

Offer no.:

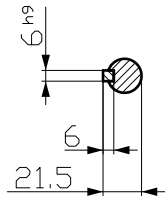
Project:

Remarks:

U [V]	Δ/Y	f [Hz]	P		I [A]	n [1/min]	M [Nm]	NOM. EFF at ... load [%]			Power factor at ... load			I _A /I _N I/I _N	M _A /M _N T _f /T _N	M _k /M _N T _B /T _N	IE-CL
			[kW]	[hp]				4/4	3/4	2/4	4/4	3/4	2/4				
230	Δ	50	0.75	- / -	3.05	1450	4.9	82.5	82.3	79.9	0.75	0.66	0.53	7.1	2.7	3.9	IE3
400	Y	50	0.75	- / -	1.75	1450	4.9	82.5	82.3	79.9	0.75	0.66	0.53	7.1	2.7	3.9	IE3
460	Y	60	0.86	- / -	1.72	1750	4.7	83.5	83.2	80.8	0.75	0.67	0.54	7.7	2.7	4.1	IE3
460	Y	60	0.75	- / -	1.59	1760	4.1	83.5	82.6	79.3	0.71	0.62	0.49	8.3	3.1	4.7	IE3
IM B5 / IM 3001			FS 80 M		14 kg	IP55	CC032A	IEC/EN 60034		IEC, DIN, ISO, VDE, EN							

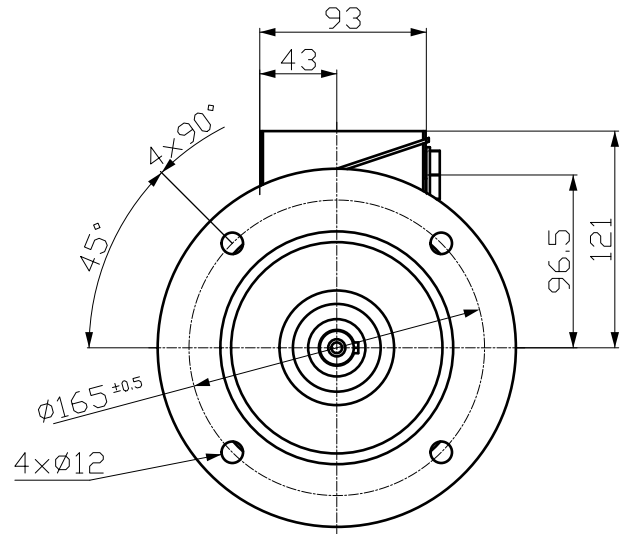
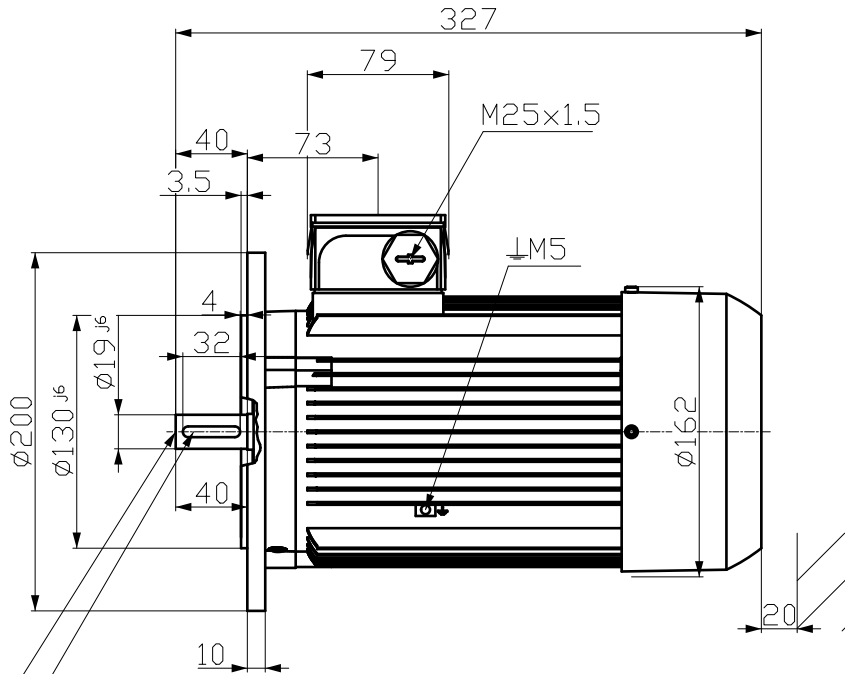
Mechanical data			Terminal box	
Sound pressure level 50Hz/60Hz (load)	53 dB(A)	53 dB(A)	Terminal box position	top
Moment of inertia	0.0029 kg m ²		Material of terminal box	Aluminium
Bearing DE NDE	6004 2Z C3	6004 2Z C3	Type of terminal box	TB1 E00
Bearing lifetime	40000 h		Contact screw thread	M4
Lubricants	Esso Unirex N3		Max. cross-sectional area	1.5 mm ²
Regreasing device	No		Cable diameter from ... to ...	9.0 mm - 17.0 mm
Grease nipple	- / -		Cable entry	1xM25x1,5
Type of bearing	Preloaded bearing DE		Cable gland	1 plug
Condensate drainage holes	Yes		<div style="border: 1px solid black; padding: 5px; text-align: center;"> Special design (1) H03 Condensation drain holes in end shield </div>	
External earthing terminal				
Vibration class	A			
Insulation	155(F) to 130(B)			
Duty type	S1			
Direction of rotation	bidirectional			
Frame material	aluminum			
Data of anti condensation heating	- / -			
Coating (paint finish)	Standard paint finish C2			
Color, paint shade	RAL7030			
Motor protection	(A) without (Standard)			
Method of cooling	IC411 - self ventilated, surface cooled			

Environmental conditions	
Ambient temperature	-20 °C - +40 °C
Altitude above sea level	1000 m



DIN 332-DR M6

DIN 6885-1



Tolerance	Surface	Material	Weight	Scale
			Ė	{ }
F50FE00H3001Z PEH	Author Creator Approval Department Change Order	ÖVŠ Tæ: ^æ@`)*		
	Doc. State	MFB	Doc. Type	/
	Revision	F50FE00H3001Z	Item No	Paper Size
	Index	RS	Doc No	1st Language 2nd Language
© Siemens AG	Project No	Ė	Ref No	Ė
				Sheet F of F

SIEMENS