

Data sheet for three-phase Squirrel-Cage-Motors SIMOTICS



Motor type : 1AV2073B

SIMOTICS GP - 71 M - IM B3 - 4p

Client order no.	Item-No.	Offer no.
Order no.	Consignment no.	Project
Remarks		

Electrical data

Safe Area

U [V]	Δ / Y	f [Hz]	P [kW]	P [hp]	I [A]	n [1/min]	M [Nm]	η ³⁾			$\cos\phi$ ³⁾			I_A/I_N I_i/I_N	M_A/M_N T_i/T_N	M_K/M_N T_B/T_N	IE-CL
								4/4	3/4	2/4	4/4	3/4	2/4				
230	Δ	50	0.37	-/-	1.77	1380	2.5	72.7	73.2	69.9	0.72	0.63	0.49	4.0	2.5	2.5	IE2
400	Y	50	0.37	-/-	1.02	1380	2.5	72.7	73.2	69.9	0.72	0.63	0.49	4.0	2.5	2.5	IE2
460	Y	60	0.43	-/-	1.04	1680	2.5	72.0	72.4	69.4	0.72	0.63	0.50	4.5	2.6	2.7	IE2
460	Y	60	0.37	-/-	0.96	1705	2.0	72.0	71.2	66.9	0.67	0.58	0.45	5.0	3.0	3.2	IE2
IM B3 / IM 1001			FS 71 M		7 kg	IP55		IEC/EN 60034		IEC, DIN, ISO, VDE, EN							
Environmental conditions : -20 °C - +40 °C / 1000 m										Locked rotor time (hot / cold) : 38.4 s 49.1 s							

Mechanical data

Sound level (SPL / SWL) at 50Hz 60Hz	44 / 55 dB(A) ²⁾	47 / 58 dB(A) ²⁾	Vibration severity grade	A
Moment of inertia	0.0009 kg m ²		Insulation	155(F) to 130(B)
Bearing DE NDE	6202 2Z C3	6202 2Z C3	Duty type	S1
bearing lifetime			Direction of rotation	bidirectional
L _{10mh} , F _{Rad} , min 50 60Hz ¹⁾ for coupling operation	40000 h	32000 h	Frame material	aluminum
Lubricants	Unirex N3		Net weight of the motor (IM B3)	7 kg
Regreasing device	No		Coating (paint finish)	Standard paint finish C2
Grease nipple	-/-		Color, paint shade	RAL7030
Type of bearing	Preloaded bearing DE		Motor protection	(A) without (Standard)
Condensate drainage holes	No		Method of cooling	IC411 - self ventilated, surface cooled
External earthing terminal	No			

Terminal box

Terminal box position	top	Max. cross-sectional area	1.5 mm ²
Material of terminal box	Aluminium	Cable diameter from ... to ...	9 mm - 17 mm
Type of terminal box	TB1 B10	Cable entry	1xM25x1,5-1xM16x1,5
Contact screw thread	M4	Cable gland	2 plugs

Notes:
 I_A/I_N = locked rotor current / current nominal
 M_A/M_N = locked rotor torque / torque nominal
 M_K/M_N = break down torque / nominal torque
 1) L10mh according to DIN ISO 281 10/2010
 2) at rated power / at full load
 3) Value is valid only for DOL operation with motor design IC411

responsible dep. DI MC LVM	technical reference	created by DT Configurator	approved by	<i>Technical data are subject to change! There may be discrepancies between calculated and rating plate values.</i>			
SIEMENS	document type datasheet	document status released		customer			
	title 1LE1001-0CB32-2AA4-Z F01+F11	document number					
© Siemens AG 2021	rev. 01	creation date 2021-09-01 15:58	language en	Page 1/2			

Data sheet for three-phase Squirrel-Cage-Motors SIMOTICS



Motor type : 1AV2073B

SIMOTICS GP - 71 M - IM B3 - 4p

Special design

F01	Mounting a brake	F11	Brake supply voltage, 230 V AC, 50/60 Hz
-----	------------------	-----	--

Additional information:

Brake:

Description:	BFK458-06	Current:	0.1 A
Voltage:	AC 230 V	Moment of inertia:	0.000013 kgm ²

Notes:

responsible dep. DI MC LVM	technical reference	created by DT Configurator	approved by	<i>Technical data are subject to change! There may be discrepancies between calculated and rating plate values.</i>
-------------------------------	---------------------	-------------------------------	-------------	---

SIEMENS	document type datasheet	document status released	customer	
	title 1LE1001-0CB32-2AA4-Z F01+F11	document number	rev. 01	creation date 2021-09-01 15:58
© Siemens AG 2021		language en	Page 2/2	

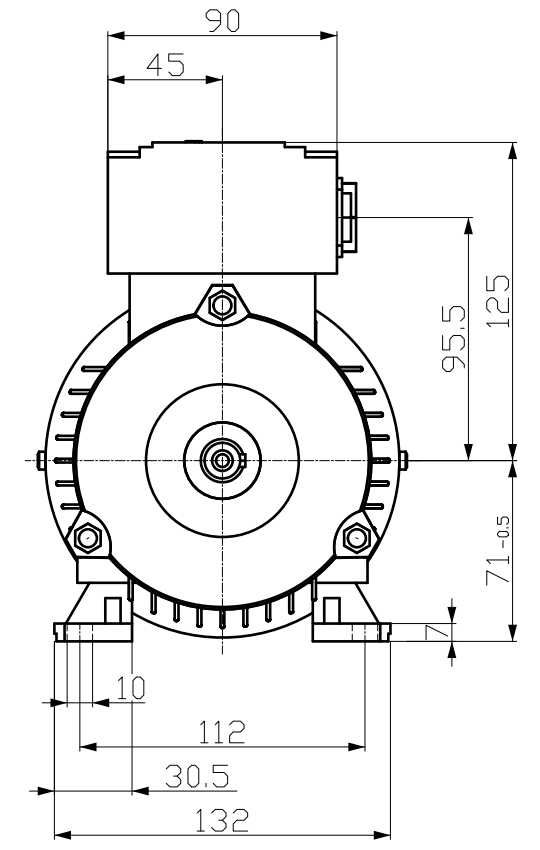
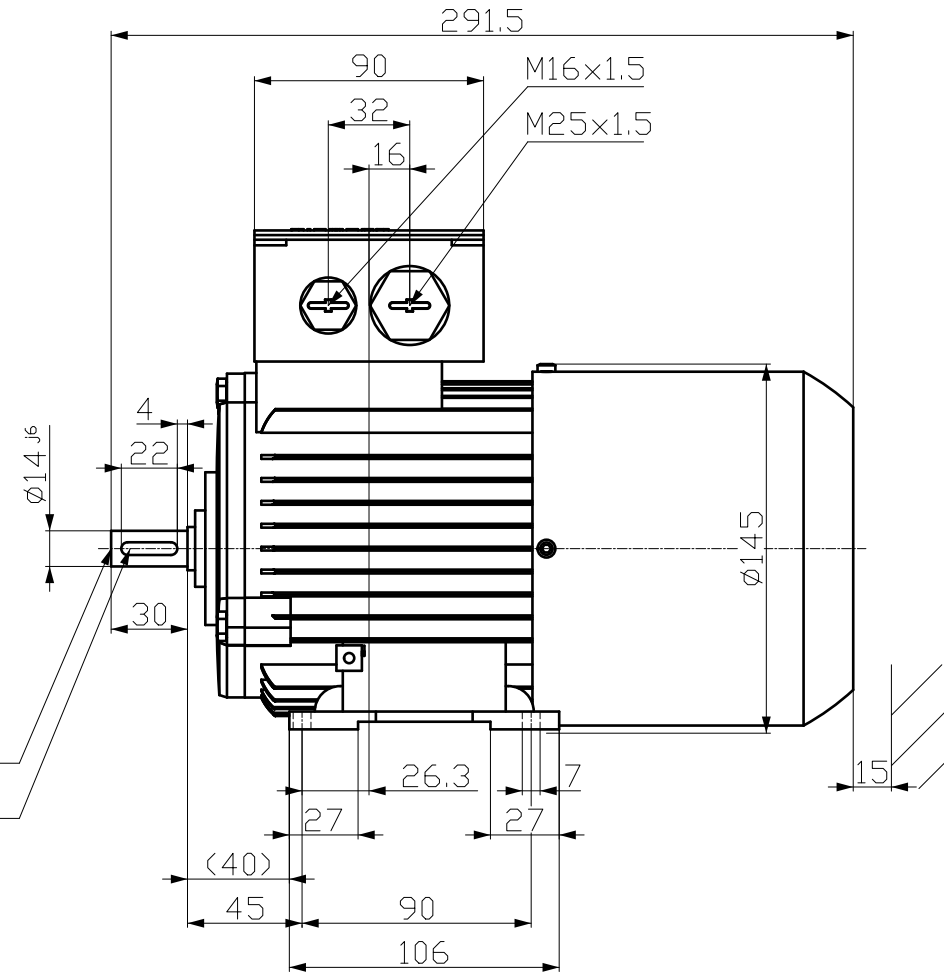
刀线
粗用
所用
文金
金图
图
图
图

V...
...
...
...
...
...

V...
...
...
...
...
...
...

Q...
...
...
...
...
...
...

F



Tolerance	Surface	Material	Weight E	Scale 1:1
F...	Author Creator Approval Department Change Order	ÖVS T... ...	MFB	Doc Type /
SIEMENS	Doc. State Revision	J... Index RS		
© Siemens AG 2018	Project No	E	Ref No	E
				Sheet F of F