



MLFB-Ordering data: **1LE1002-0CB22-2FA4-Z**
H03

Motor type: **1AV1072B**

Client order no.:

Item no.:

Order no.:

Consignment no.:

Offer no.:

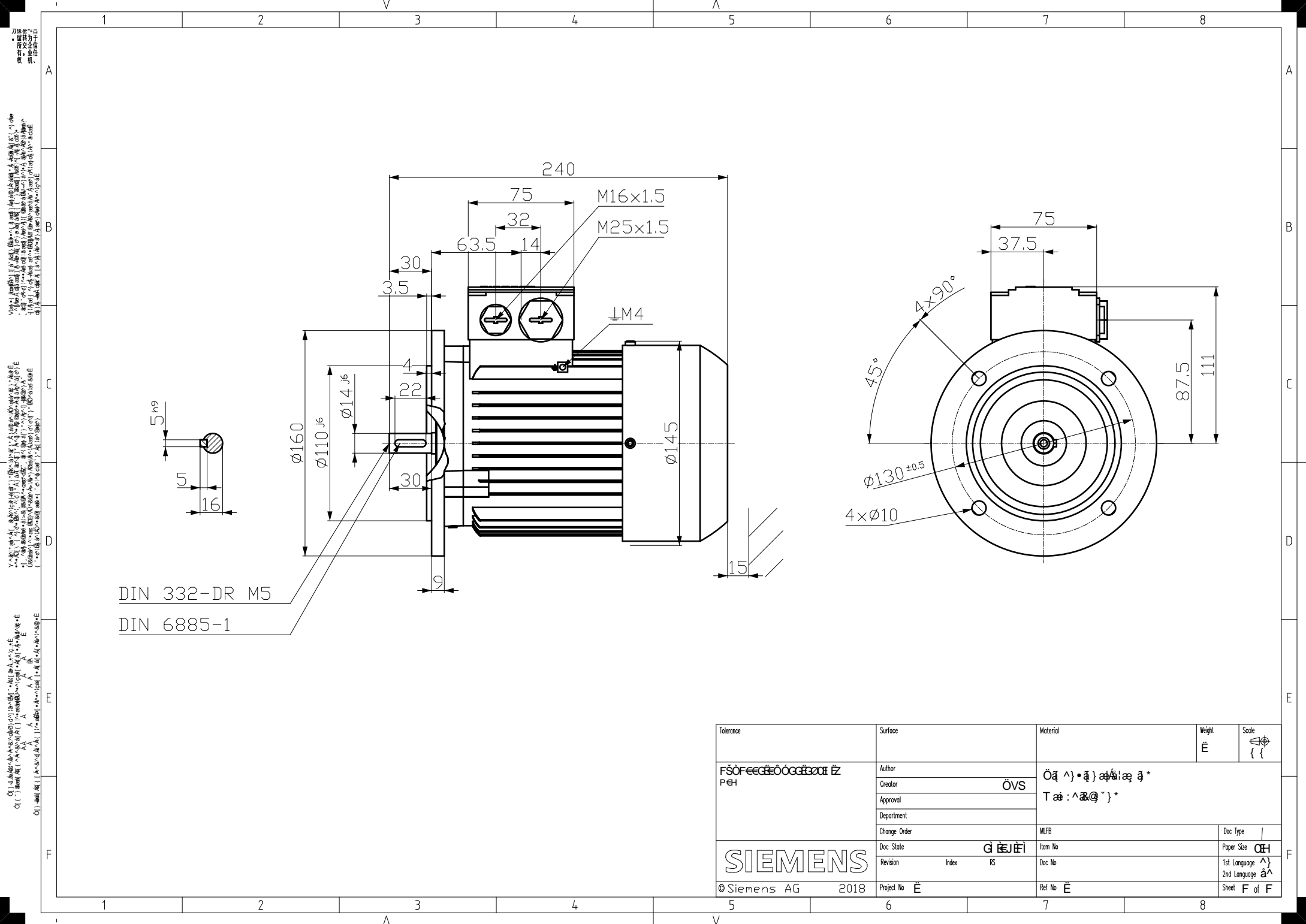
Project:

Remarks:

U [V]	Δ/Y	f [Hz]	P [kW]	P [hp]	I [A]	n [1/min]	M [Nm]	NOM. EFF at ... load [%]			Power factor at ... load			I _A /I _N I/I _N	M _A /M _N T _r /T _N	M _k /M _N T _B /T _N	IE-CL
								4/4	3/4	2/4	4/4	3/4	2/4				
230	Δ	50	0.25	- / -	1.40	1365	1.7	61.5	61.4	56.1	0.73	0.63	0.49	3.0	1.8	2.0	IE1
400	Y	50	0.25	- / -	0.80	1365	1.7	61.5	61.4	56.1	0.73	0.63	0.49	3.0	1.8	2.0	IE1
460	Y	60	0.28	- / -	0.75	1665	1.7	68.0	67.8	62.6	0.71	0.61	0.48	3.4	1.8	2.0	IE1
IM B5 / IM 3001		FS 71 M			IP55		IEC/EN 60034			IEC, DIN, ISO, VDE, EN							

Mechanical data			Terminal box	
Sound pressure level 50Hz/60Hz (load)	49 dB(A)	51 dB(A)	Terminal box position	top
Moment of inertia	0.00052 kg m ²		Material of terminal box	Aluminium
Bearing DE NDE	6202 2Z C3	6202 2Z C3	Type of terminal box	TB1 B00
Bearing lifetime	40000 h		Contact screw thread	M4
Lubricants	Esso Unirex N3		Max. cross-sectional area	1.5 mm ²
Regreasing device	No		Cable diameter from ... to ...	9.0 mm - 17.0 mm
Grease nipple	- / -		Cable entry	1xM25x1,5
Type of bearing	Preloaded bearing DE		Cable gland	1 plug
Condensate drainage holes	Yes		<div style="border: 1px solid black; padding: 5px; text-align: center;"> Special design (1) H03 Condensation drain holes in end shield </div>	
External earthing terminal				
Vibration severity grade	A			
Insulation	155(F) to 130(B)			
Duty type	S1			
Direction of rotation	bidirectional			
Frame material	aluminum			
Data of anti condensation heating	-/-			
Coating (paint finish)	Standard paint finish C2			
Color, paint shade	RAL7030			
Motor protection	(A) without (Standard)			
Method of cooling	IC411 - self ventilated, surface cooled			

Environmental conditions	
Ambient temperature	-20 °C - +40 °C
Altitude above sea level	1000 m



刀线
所用文
积

V
A
B
C
D
E
F

Tolerance	Surface	Material	Weight E	Scale 1:1
FS	Author	ÖS		
PH	Creator	T		
	Approval			
	Department			
	Change Order	MLFB		Doc Type
SIEMENS	Doc. State	Index	Item No.	Paper Size
	Revision	RS	Doc. No.	1st Language 2nd Language
	© Siemens AG 2018	Project No. E	Ref. No. E	Sheet F of F