

Data sheet for three-phase Squirrel-Cage-Motors SIMOTICS



Motor type : 1CV4312A

SIMOTICS SD - 315 M - IM B3 - 2p

Client order no.	Item-No.	Offer no.
Order no.	Consignment no.	Project
Remarks		

Electrical data

Safe Area

U [V]	Δ / Y	f [Hz]	P [kW]	P [hp]	I [A]	n [1/min]	M [Nm]	η ³⁾			cosφ ³⁾			I _A /I _N I _I /I _N	M _A /M _N T _I /T _N	M _K /M _N T _B /T _N	IE-CL
								4/4	3/4	2/4	4/4	3/4	2/4				
DOL duty (S1) - 155(F) to 130(B)																	
400	Δ	50	132.00	-/-	220.00	2988	420.0	96.2	96.2	95.6	0.90	0.88	0.81	9.8	2.6	3.9	IE4
690	Y	50	132.00	-/-	128.00	2988	420.0	96.2	96.2	95.6	0.90	0.88	0.81	9.8	2.6	3.9	IE4
460	Δ	60	132.00	-/-	192.00	3590	350.0	95.8	95.5	94.4	0.90	0.87	0.80	11.0	2.9	4.3	IE4
460	Δ	60	148.00	-/-	215.00	3588	395.0	95.8	95.6	94.8	0.90	0.88	0.82	9.8	2.6	3.9	IE4
IM B3 / IM1001		FS 315 M		IP55		UKCA		IEC/EN 60034									
Environmental conditions : -20 °C - +40 °C / 1000 m										Locked rotor time (hot / cold) : 27 s 40.9 s							

Mechanical data

Sound level (SPL / SWL) at 50Hz 60Hz	73 / 88 dB(A) ^{2) 3)}	77 / 92 dB(A) ^{2) 3)}	External earthing terminal	(Standard) Yes
Moment of inertia	2.0800 kg m ²		Vibration severity grade	Grade A
Bearing DE NDE	6316 C3		Thermal class	F
permissible lateral force on (N)	X ₀ : 5800	X _{0.5} : 5500	Duty type	S1
bearing lifetime			Direction of rotation	bidirectional
L _{10mh} F _{Rad} min for coupling operation 50 60Hz ¹⁾	40000 h	32000 h	Frame material	cast iron
Relubrication interval/quantity DE NDE	30 g 30 g 3000 h		Net weight of the motor	1010 kg
Lubricants	UNIREX N3		Coating (paint finish)	Special paint finish C3
Regreasing device	(Standard) Flat type lubricating nipple acc. DIN 3404		Color, paint shade	RAL7030
Grease nipple	M10x1 DIN 3404 A		Motor protection	3 PTC thermistors - for tripping (2 terminals)
Type of bearing	Locating bearing NDE		Method of cooling	IC411 - self ventilated, surface cooled
Condensate drainage holes	(Standard) Yes		'SIMOTICS Connect 400' in IP65	Yes

Terminal box

Terminal box position	box at the top	Max. cross-sectional area	240 mm ²
Material of terminal box	cast iron	Cable diameter from ... to ...	34 mm - 45 mm
Type of terminal box	TB1Q01	Cable entry	2xM63x1,5 - 2xM20x1,5
Contact screw thread	6xM12	Cable gland	4 plugs

Notes:

I_A/I_N = locked rotor current / current nominal
M_K/M_N = locked rotor torque / torque nominal
M_K/M_N = break down torque / nominal torque
1) L10mh according to DIN ISO 281 10/2010
2) at rated power / at full load
3) Value is valid only for DOL operation with motor design IC411

responsible dep. DI MC LVM	technical reference	created by DT Configurator	approved by	Technical data are subject to change! There may be discrepancies between calculated and rating plate values.	Link documents
	document type datasheet	document status released			
	title 1LE5504-3AA23-4AB4-Z G81+M11+502	document number			
© Siemens AG 2023	rev. 929	creation date 2023-01-10	language en		

Data sheet for three-phase Squirrel-Cage-Motors SIMOTICS




Motor type : 1CV4312A

SIMOTICS SD - 315 M - IM B3 - 2p

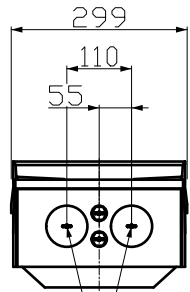
Special design

G81	Installation of SIMOTICS CONNECT 400	S02	Special paint finish C3
M11	Stainless steel rating plate		

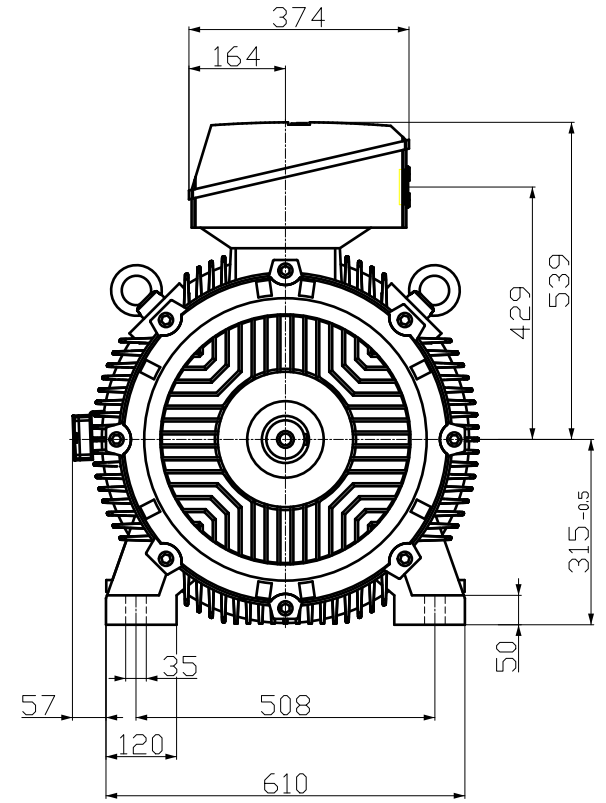
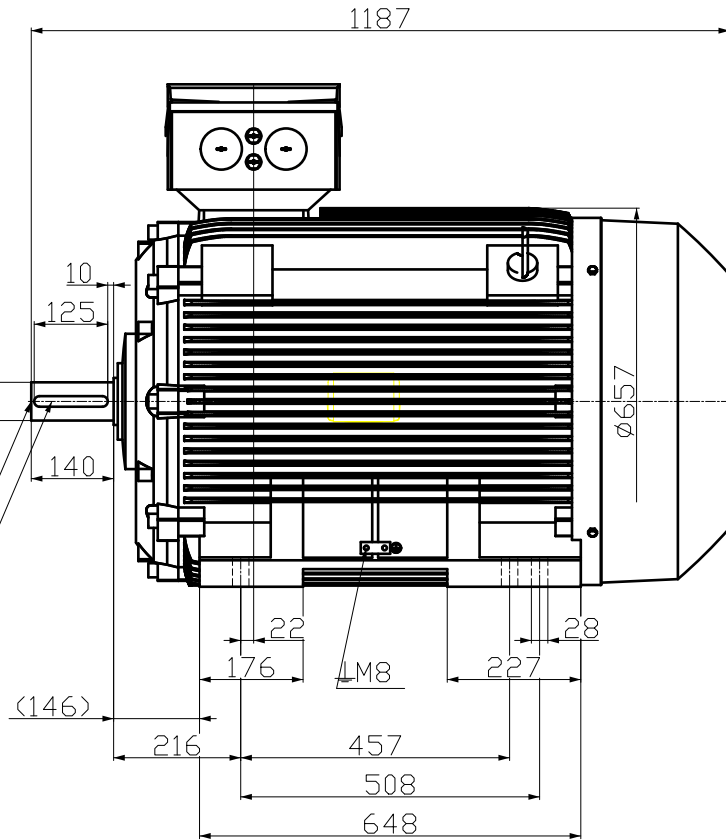
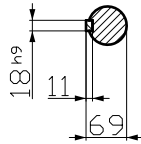
Notes:

responsible dep. DI MC LVM	technical reference	created by DT Configurator	approved by	<i>Technical data are subject to change! There may be discrepancies between calculated and rating plate values.</i>	Link documents
SIEMENS	document type datasheet	document status released			
	title 1LE5504-3AA23-4AB4-Z G81+M11+S02	document number			
© Siemens AG 2023	rev. 929	creation date 2023-01-10	language en	Page 2/2	

Terminal box -
Front view



2xM63x1.5
DIN 332-DS M20
DIN 6885-1



Tolerance	Surface	Material	Weight	Scale
F501 í e ð-003-001 Ë ÖI FET FFÉÜEG	Author Creator Approval Department Change Order	ÖS T æ : ^æ@` } *	È	{ {
SIEMENS	Doc. State	Item No	Paper Size	
	Revision	Index	Doc No	
	Project No	È	Ref No È	
	© Siemens AG	2018	Sheet F of F	