

Data sheet for three-phase Squirrel-Cage-Motors SIMOTICS



Motor type : 1CV3256A

SIMOTICS SD - 250 M - IM B3 - 2p

Client order no.	Item-No.	Offer no.
Order no.	Consignment no.	Project

Remarks **Safe Area**

Electrical data

-/-

U [V]	Δ / Y	f [Hz]	P [kW]	P [hp]	I [A]	n [1/min]	M [Nm]	η ³⁾			cosφ ³⁾			I _A /I _N I _I /I _N	M _A /M _N T _I /T _N	M _K /M _N T _B /T _N	IE-CL
								4/4	3/4	2/4	4/4	3/4	2/4				
DOL duty (S1) - 155(F) to 130(B)																	
230	Δ	50	75.00	-/-	220.00	2970	240.0	94.7	94.9	94.5	0.90	0.89	0.83	6.8	2.2	2.9	IE3
400	Y	50	75.00	-/-	127.00	2970	240.0	94.7	94.9	94.5	0.90	0.89	0.83	6.8	2.2	2.9	IE3
460	Y	60	84.00	-/-	124.00	3570	225.0	94.5	94.5	93.8	0.90	0.89	0.84	6.8	2.3	2.9	IE2
460	Y	60	75.00	-/-	111.00	3575	200.0	94.1	93.9	92.9	0.90	0.88	0.83	7.5	2.5	3.2	IE3
IM B3 / IM 1001		FS 250 M		IP55		UKCA		IEC/EN 60034		IEC, DIN, ISO, VDE, EN							
Environmental conditions : -20 °C - +40 °C / 1000 m										Locked rotor time (hot / cold) : 28 s 57.7 s							

Mechanical data

Sound level (SPL / SWL) at 50Hz 60Hz	74 / 88 dB(A) ^{2) 3)}	78 / 92 dB(A) ^{2) 3)}	External earthing terminal	With (standard)
Moment of inertia	0.5600 kg m ²		Vibration severity grade	A
Bearing DE NDE	6315 C3	6315 C3	Thermal class	F
bearing lifetime			Duty type	S1
L _{10mh} F _{Rad min} for coupling operation 50 60Hz ¹⁾	40000 h	32000 h	Direction of rotation	bidirectional
Relubrication interval/quantity DE NDE	25 g 25 g 4000 h		Frame material	cast iron
Lubricants	Unirex N3		Net weight of the motor (IM B3)	470 kg
Regreasing device	With (standard)		Coating (paint finish)	Special paint finish C3
Grease nipple	M10x1 DIN 3404 A		Color, paint shade	RAL7030
Type of bearing	Locating bearing NDE		Motor protection	(B) 3 PTC thermistors - for tripping (standard) (2 terminals)
Condensate drainage holes	With (standard)		Method of cooling	IC411 - self ventilated, surface cooled

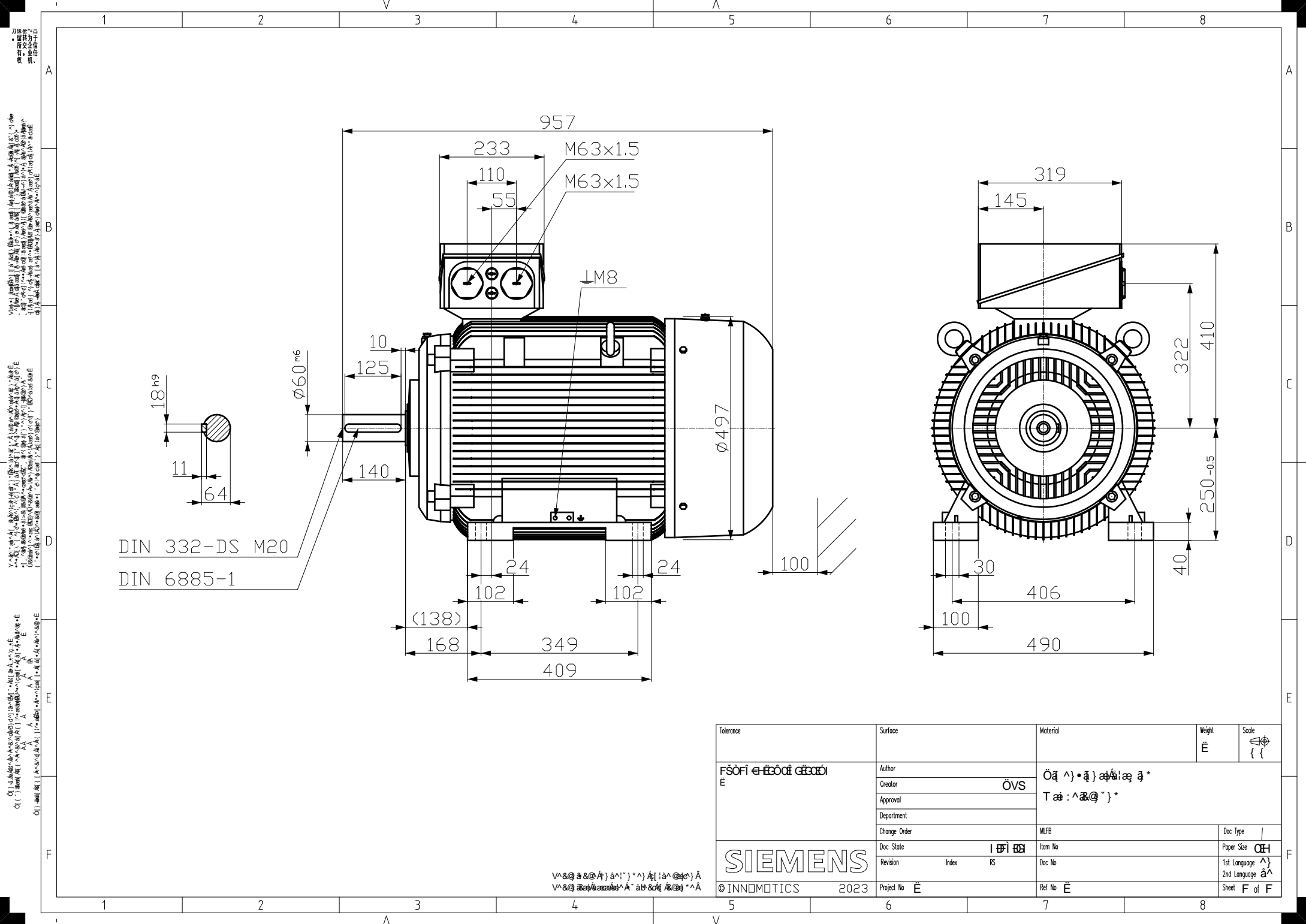
Terminal box

Terminal box position	top	Max. cross-sectional area	120 mm ²
Material of terminal box	cast iron	Cable diameter from ... to ...	34 mm - 42 mm
Type of terminal box	TB1 N01	Cable entry	2xM63x1,5-2xM20x1,5
Contact screw thread	M10	Cable gland	4 plugs

I_A/I_N = locked rotor current / current nominal 1) L_{10mh} according to DIN ISO 281 10/2010 3) Value is valid only for DOL operation with motor design IC411
M_K/M_N = locked rotor torque / torque nominal 2) at rated power / at full load
M_B/M_N = break down torque / nominal torque

Transmittal, reproduction, dissemination and/or editing of this document as well as utilization of its contents and communication thereof to others without express authorization are prohibited. Offenders will be held liable for payment of damages. All rights created by patent grant or registration of a utility model or design patent are reserved.

Responsible department IN LVM	Technical reference	Created by SPC	Approved by Created automatically	<i>Technical data are subject to change! There may be discrepancies between calculated and rating plate values.</i>	Link documents	
	Document type Technical data sheet	Document status Released				
	Document title 1LE1603-2CA62-2AB4	Document number TDS-240418-084955				
Restricted © Innomotics 2024	Revision AA	Creation date 2024-04-18	Language en			Page 1/1



DIN 332-DS M20
DIN 6885-1

Tolerance	Surface	Material	Weight	Scale
F50F1 E	Author	ÖVS	Ö	{ }
	Creator	T		
	Approval			
	Department			
	Change Order	MFB		Doc Type
	Doc. State	I		Paper Size
	Revision	Index		1st Language
				2nd Language
	Project No	E		Sheet
				F of F

SIEMENS

V&@a&@A) aV)) A[i a @ @) A
V&@B&@a&@A) a b @ @ A & @) ^ A

刀线管
用文全
积

Q ()
Q ()
Q ()

A
B
C
D
E
F

1 2 3 4 5 6 7 8

1 2 3 4 5 6 7 8