

# Data sheet for three-phase Squirrel-Cage-Motors SIMOTICS



Motor type : 1CV3226A

SIMOTICS SD - 225 M - IM B3 - 2p

Client order no.	Item-No.	Offer no.
Order no.	Consignment no.	Project

Remarks **Safe Area**

**Electrical data**

-/-

U [V]	Δ / Y	f [Hz]	P [kW]	P [hp]	I [A]	n [1/min]	M [Nm]	η <sup>3)</sup>			cosφ <sup>3)</sup>			I <sub>A</sub> /I <sub>N</sub> I <sub>f</sub> /I <sub>N</sub>	M <sub>A</sub> /M <sub>N</sub> T <sub>f</sub> /T <sub>N</sub>	M <sub>K</sub> /M <sub>N</sub> T <sub>B</sub> /T <sub>N</sub>	IE-CL
								4/4	3/4	2/4	4/4	3/4	2/4				
<b>DOL duty (S1) - 155(F) to 130(B)</b>																	
230	Δ	50	55.00	-/-	166.00	2965	177.0	94.3	94.6	94.4	0.88	0.86	0.78	8.0	2.8	3.7	IE3
400	Y	50	55.00	-/-	96.00	2965	177.0	94.3	94.6	94.4	0.88	0.86	0.78	8.0	2.8	3.7	IE3
460	Y	60	62.00	-/-	93.00	3565	166.0	93.6	93.7	93.3	0.89	0.87	0.80	8.0	2.8	3.6	IE3
460	Y	60	55.00	-/-	84.00	3570	147.0	93.6	93.6	92.8	0.88	0.85	0.77	8.9	3.2	4.0	IE3
IM B3 / IM 1001		FS 225 M		IP55		UKCA		IEC/EN 60034		IEC, DIN, ISO, VDE, EN							
Environmental conditions : -20 °C - +40 °C / 1000 m										Locked rotor time (hot / cold) : 12.5 s   25.4 s							

**Mechanical data**

Sound level (SPL / SWL) at 50Hz 60Hz	73 / 87 dB(A) <sup>2) 3)</sup>	76 / 90 dB(A) <sup>2) 3)</sup>	External earthing terminal	With (standard)
Moment of inertia	0.3100 kg m <sup>2</sup>		Vibration severity grade	A
Bearing DE   NDE	6313 C3	6313 C3	Thermal class	F
<b>bearing lifetime</b>			Duty type	S1
L <sub>10mh</sub> F <sub>Rad min</sub> for coupling operation 50 60Hz <sup>1)</sup>	40000 h	32000 h	Direction of rotation	bidirectional
Relubrication interval/quantity DE   NDE	20 g   20 g 4000 h		Frame material	cast iron
Lubricants	Unirex N3		Net weight of the motor (IM B3)	370 kg
Regreasing device	With (standard)		Coating (paint finish)	Special paint finish C3
Grease nipple	M10x1 DIN 3404 A		Color, paint shade	RAL7030
Type of bearing	Locating bearing NDE		Motor protection	(B) 3 PTC thermistors - for tripping (standard) (2 terminals)
Condensate drainage holes	With (standard)		Method of cooling	IC411 - self ventilated, surface cooled

**Terminal box**

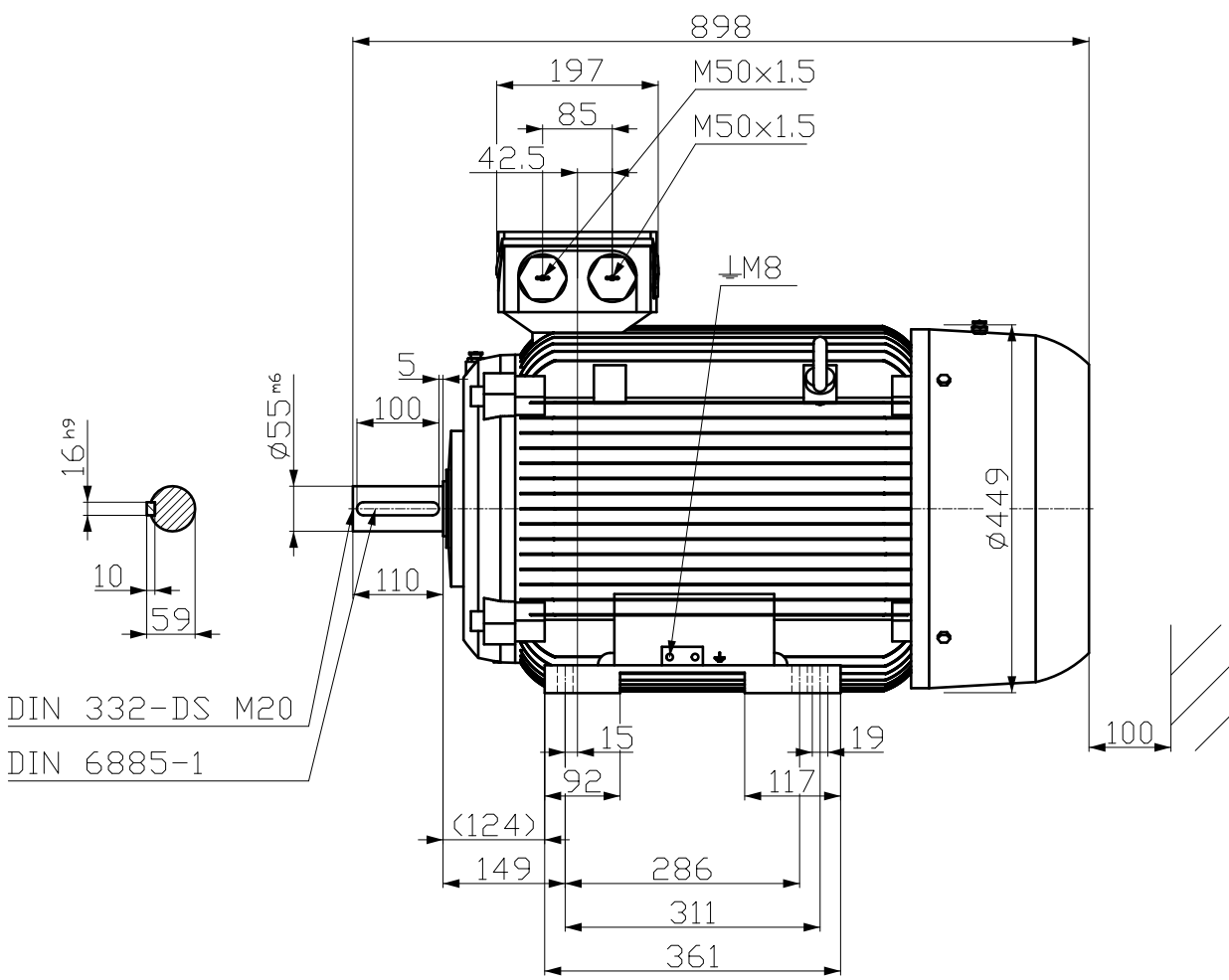
Terminal box position	top	Max. cross-sectional area	35 mm <sup>2</sup>
Material of terminal box	cast iron	Cable diameter from ... to ...	27 mm - 35 mm
Type of terminal box	TB1 L01	Cable entry	2xM50x1,5-2xM20x1,5
Contact screw thread	M8	Cable gland	4 plugs

I<sub>A</sub>/I<sub>N</sub> = locked rotor current / current nominal  
 M<sub>A</sub>/M<sub>N</sub> = locked rotor torque / torque nominal  
 M<sub>K</sub>/M<sub>N</sub> = break down torque / nominal torque  
 1) L<sub>10mh</sub> according to DIN ISO 281 10/2010  
 2) at rated power / at full load  
 3) Value is valid only for DOL operation with motor design IC411

Transmittal, reproduction, dissemination and/or editing of this document as well as utilization of its contents and communication thereof to others without express authorization are prohibited. Offenders will be held liable for payment of damages. All rights created by patent grant or registration of a utility model or design patent are reserved.

Responsible department IN LVM	Technical reference	Created by SPC	Approved by Created automatically	<i>Technical data are subject to change! There may be discrepancies between calculated and rating plate values.</i>	<a href="#">Link documents</a>
	Document type Technical data sheet	Document status Released			
	Document title 1LE1603-2BA62-2AB4	Document number TDS-240419-084649			
Restricted © Innomotics 2024		Revision AA	Creation date 2024-04-19	Language en	Page 1/1

刀线管  
 用文全  
 图  
 积  
 01  
 02  
 03  
 04  
 05  
 06  
 07  
 08  
 09  
 10  
 11  
 12  
 13  
 14  
 15  
 16  
 17  
 18  
 19  
 20  
 21  
 22  
 23  
 24  
 25  
 26  
 27  
 28  
 29  
 30  
 31  
 32  
 33  
 34  
 35  
 36  
 37  
 38  
 39  
 40  
 41  
 42  
 43  
 44  
 45  
 46  
 47  
 48  
 49  
 50  
 51  
 52  
 53  
 54  
 55  
 56  
 57  
 58  
 59  
 60  
 61  
 62  
 63  
 64  
 65  
 66  
 67  
 68  
 69  
 70  
 71  
 72  
 73  
 74  
 75  
 76  
 77  
 78  
 79  
 80  
 81  
 82  
 83  
 84  
 85  
 86  
 87  
 88  
 89  
 90  
 91  
 92  
 93  
 94  
 95  
 96  
 97  
 98  
 99  
 100



DIN 332-DS M20  
 DIN 6885-1

Tolerance	Surface	Material	Weight	Scale
F50F1 E	Author Creator Approval Department Change Order	ÖVS T a : ^ & @ } * MLFB	E	{ {
SIEMENS	Doc. State Revision	I F J E B Index RS	Item No Doc No	Paper Size 1st Language 2nd Language
© INNMOTICS 2023	Project No	E	Ref No	E
			Doc Type	/
			Sheet	F of F

V & @ a & @ A ) a V : } \* ^ ) A [ i a ^ @ a ) A  
 V & @ a & @ a a a A \* a b & @ A & @ \* ^ A