



MLFB-Ordering data: **1LE1603-2AA43-4AB4**

Motor type: **1CV3204A**

Client order no.:

Item no.:

Order no.:

Consignment no.:

Offer no.:

Project:

Remarks:

U [V]	Δ/Y	f [Hz]	P [kW]	P [hp]	I [A]	n [1/min]	M [Nm]	NOM. EFF at ... load [%]			Power factor at ... load			I <sub>A</sub> /I <sub>N</sub> I/I <sub>N</sub>	M <sub>A</sub> /M <sub>N</sub> T <sub>f</sub> /T <sub>N</sub>	M <sub>k</sub> /M <sub>N</sub> T <sub>B</sub> /T <sub>N</sub>	IE-CL
								4/4	3/4	2/4	4/4	3/4	2/4				
400	Δ	50	30.00	- / -	53.00	2955	97.0	93.3	93.5	92.9	0.87	0.84	0.76	7.0	2.5	3.3	IE3
690	Y	50	30.00	- / -	31.00	2955	97.0	93.3	93.5	92.9	0.87	0.84	0.76	7.0	2.5	3.3	IE3
460	Δ	60	33.50	- / -	52.00	3555	90.0	93.0	92.8	91.4	0.87	0.84	0.77	7.1	2.5	3.3	IE3
460	Δ	60	30.00	- / -	47.00	3560	80.0	92.4	91.9	90.1	0.87	0.84	0.77	8.5	3.0	3.7	IE3
IM B3 / IM 1001		FS 200 L		225 kg	IP55	CC032A	IEC/EN 60034		IEC, DIN, ISO, VDE, EN								

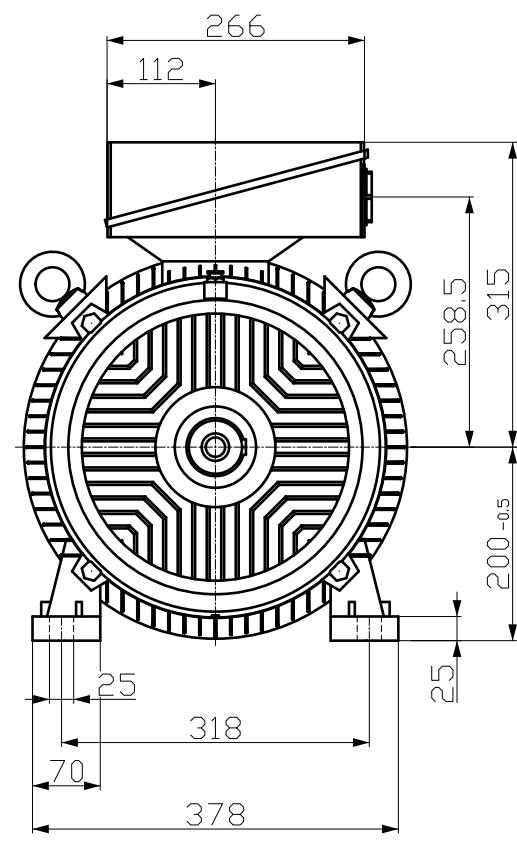
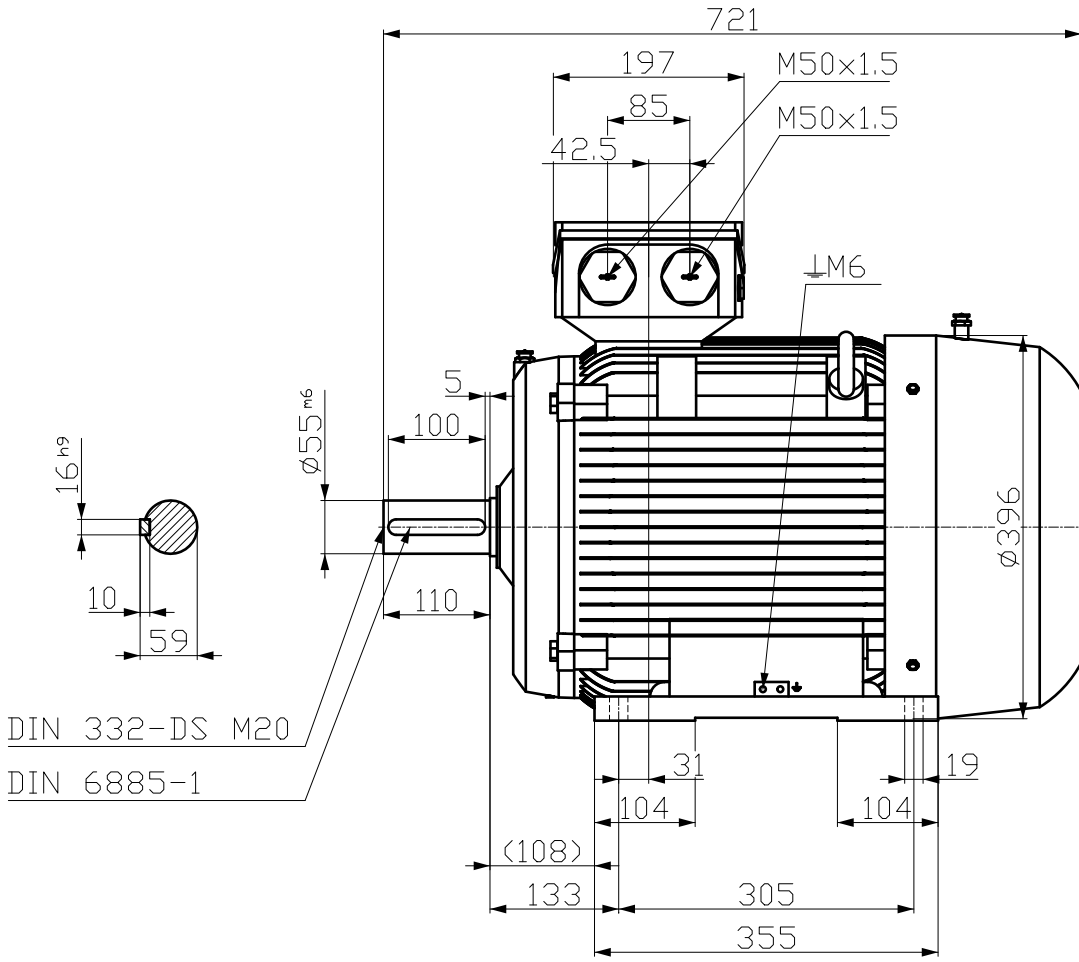
Mechanical data			Terminal box	
Sound pressure level 50Hz/60Hz (load)	73 dB(A)	78 dB(A)	Terminal box position	top
Moment of inertia	0.134 kg m <sup>2</sup>		Material of terminal box	cast iron
Bearing DE   NDE	6312 C3	6312 C3	Type of terminal box	TB1 L01
Relubrication interval/quantity	10 g   10 g 4000 h		Contact screw thread	M6
Lubricants	Esso Unirex N3		Max. cross-sectional area	25.0 mm <sup>2</sup>
Regreasing device	Yes (standard)		Cable diameter from ... to ...	27.0 mm - 35.0 mm
Grease nipple	M10x1 DIN 3404 A		Cable entry	2xM50x1,5-2xM20x1,5
Type of bearing	Locating bearing NDE		Cable gland	3 plugs
Condensate drainage holes	Yes (standard)		Special design (0)	
External earthing terminal	Yes (standard)			
Vibration class	A			
Insulation	155(F) to 130(B)			
Duty type	S1			
Direction of rotation	bidirectional			
Frame material	cast iron			
Data of anti condensation heating	-/-			
Coating (paint finish)	Special paint finish C3			
Color, paint shade	RAL7030			
Motor protection	(B) 3 PTC thermistors - for tripping (standard) (2 terminals)			
Method of cooling	IC411 - self ventilated, surface cooled			

Environmental conditions	
Ambient temperature	-20 °C - +40 °C
Altitude above sea level	1000 m

刀线管  
用转换为  
文全图  
积

Vorname Nachname (Name) | Straße | PLZ Ort | Tel. | Fax | E-Mail | Datum | Blatt / Gesamt | Zeichenblock |

Q1 (1) | Q2 (2) | Q3 (3) | Q4 (4) | Q5 (5) | Q6 (6) | Q7 (7) | Q8 (8) |



Tolerance	Surface	Material	Weight	Scale
F50 F1 E	Author Creator Approval Department Change Order	ÖVS T a : ^ & @ } *	Ä	{ }
SIEMENS	Doc. State Revision	Index RS	MFB Item No Doc No	Doc Type Paper Size
	Ä	E	E	OH 1st Language 2nd Language Sheet F of F