



MLFB-Ordering data: **1LE1603-1EA62-2AB4**

Motor type: **1CV3186A**

Client order no.:

Item no.:

Order no.:

Consignment no.:

Offer no.:

Project:

Remarks:

U [V]	Δ/Y	f [Hz]	P [kW]	P [hp]	I [A]	n [1/min]	M [Nm]	NOM. EFF at ... load [%]			Power factor at ... load			I_A/I_N I _A /I _N	M_A/M_N T _A /T _N	M_k/M_N T _B /T _N	IE-CL
								4/4	3/4	2/4	4/4	3/4	2/4				
230	Δ	50	30.00	- / -	92.00	2950	97.0	93.3	93.9	93.9	0.88	0.84	0.76	8.6	2.6	3.9	IE3
400	Y	50	30.00	- / -	53.00	2950	97.0	93.3	93.9	93.9	0.88	0.84	0.76	8.6	2.6	3.9	IE3
460	Y	60	33.50	- / -	51.00	3550	90.0	93.0	93.4	93.2	0.88	0.86	0.79	8.6	2.6	4.0	IE3
460	Y	60	30.00	- / -	47.00	3560	80.0	92.4	92.6	92.1	0.87	0.83	0.75	8.8	2.9	4.5	IE3
IM B3 / IM 1001		FS 180 L		173 kg	IP55	IEC/EN 60034		IEC, DIN, ISO, VDE, EN									

Mechanical data		Terminal box	
Sound pressure level 50Hz/60Hz (load)	69 dB(A) ¹⁾ 73 dB(A) ¹⁾	Terminal box position	top
Moment of inertia	0.094 kg m ²	Material of terminal box	cast iron
Bearing DE NDE	6310 C3 6310 C3	Type of terminal box	TB1 J01
Relubrication interval/quantity	10 g 10 g 4000 h	Contact screw thread	M5
Lubricants	Esso Unirex N3	Max. cross-sectional area	16.0 mm ²
Regreasing device	Yes (standard)	Cable diameter from ... to ...	19.0 mm - 28.0 mm
Grease nipple	M10x1 DIN 3404 A	Cable entry	2xM40x1,5-1xM16x1,5
Type of bearing	Locating bearing NDE	Cable gland	3 plugs
Condensate drainage holes	Yes (standard)	Special design (0)	
External earthing terminal	Yes (standard)		
Vibration severity grade	A		
Insulation	155(F) to 130(B)		
Duty type	S1		
Direction of rotation	bidirectional		
Frame material	cast iron		
Data of anti condensation heating	-/-		
Coating (paint finish)	Special paint finish C3		
Color, paint shade	RAL7030		
Motor protection	(B) 3 PTC thermistors - for tripping (standard) (2 terminals)		
Method of cooling	IC411 - self ventilated, surface cooled		

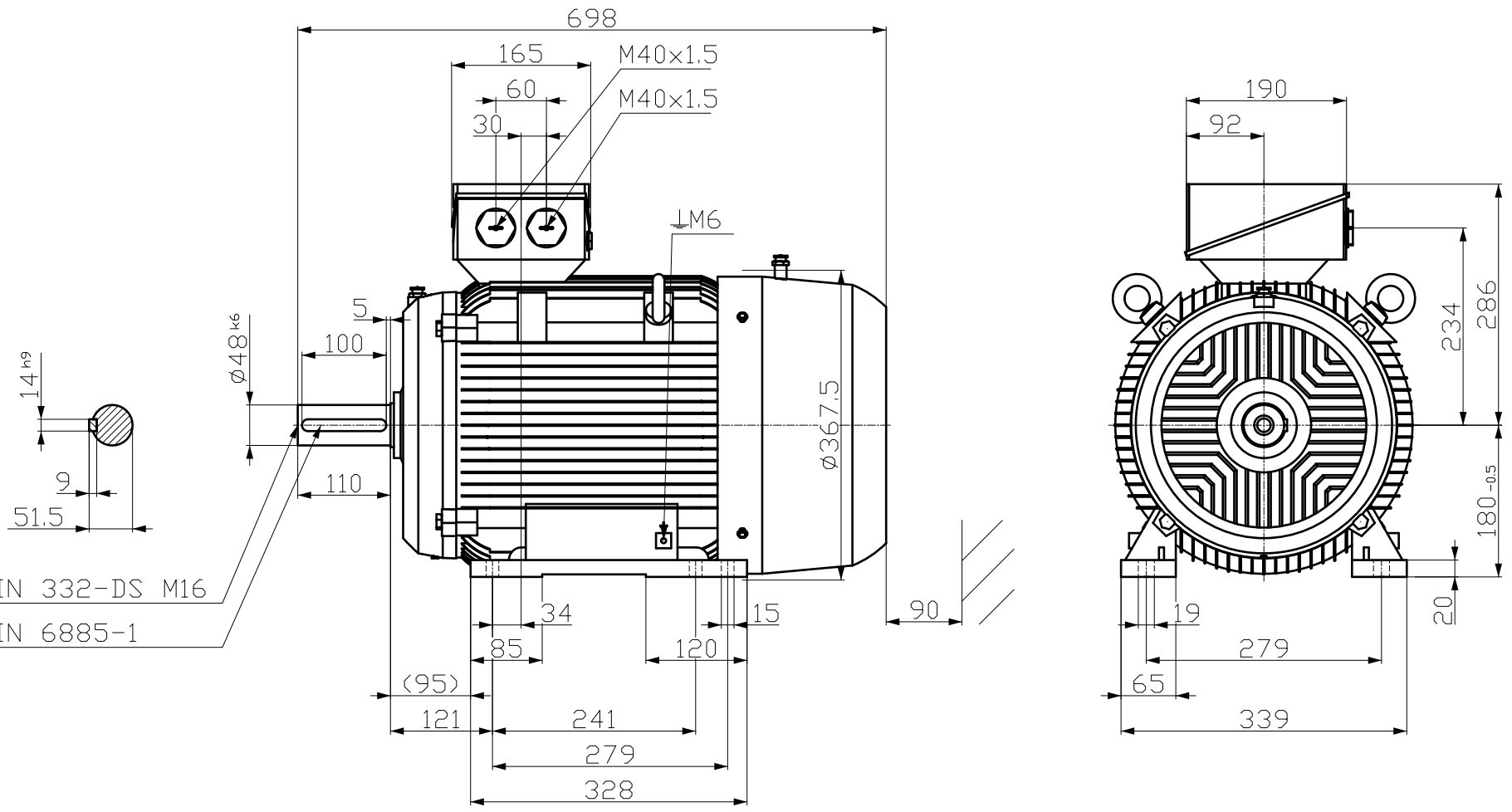
Environmental conditions

Ambient temperature	-20 °C - +40 °C
Altitude above sea level	1000 m

Notes

I_A/I_N = locked rotor current / current nominal M_k/M_N = break down torque / nominal torque
 M_A/M_N = locked rotor torque / torque nominal 1) Value is valid only for DOL operation with motor design IC411

刀线管
 用文全
 图
 积
 01
 02
 03
 04
 05
 06
 07
 08
 09
 10
 11
 12
 13
 14
 15
 16
 17
 18
 19
 20
 21
 22
 23
 24
 25
 26
 27
 28
 29
 30
 31
 32
 33
 34
 35
 36
 37
 38
 39
 40
 41
 42
 43
 44
 45
 46
 47
 48
 49
 50
 51
 52
 53
 54
 55
 56
 57
 58
 59
 60
 61
 62
 63
 64
 65
 66
 67
 68
 69
 70
 71
 72
 73
 74
 75
 76
 77
 78
 79
 80
 81
 82
 83
 84
 85
 86
 87
 88
 89
 90
 91
 92
 93
 94
 95
 96
 97
 98
 99
 100



DIN 332-DS M16
 DIN 6885-1

Tolerance	Surface	Material	Weight	Scale
F50F1 E#001 0000	Author	ÖS	È	{ }
È	Creator	ÖVS	T aë : ^@~ } *	
	Approval			
	Department			
	Change Order	MFB		Doc Type
	Doc. State	FFBÜJ#	Item No	Paper Size
	Revision	Index	Doc No	1st Language ^ } 2nd Language â ^
© Siemens AG 2018	Project No	È	Ref No	È
				Sheet F of F