



MLFB-Ordering data: **1LE1603-1EA22-2AB4**

Motor type: **1CV3182A**

Client order no.:

Item no.:

Order no.:

Consignment no.:

Offer no.:

Project:

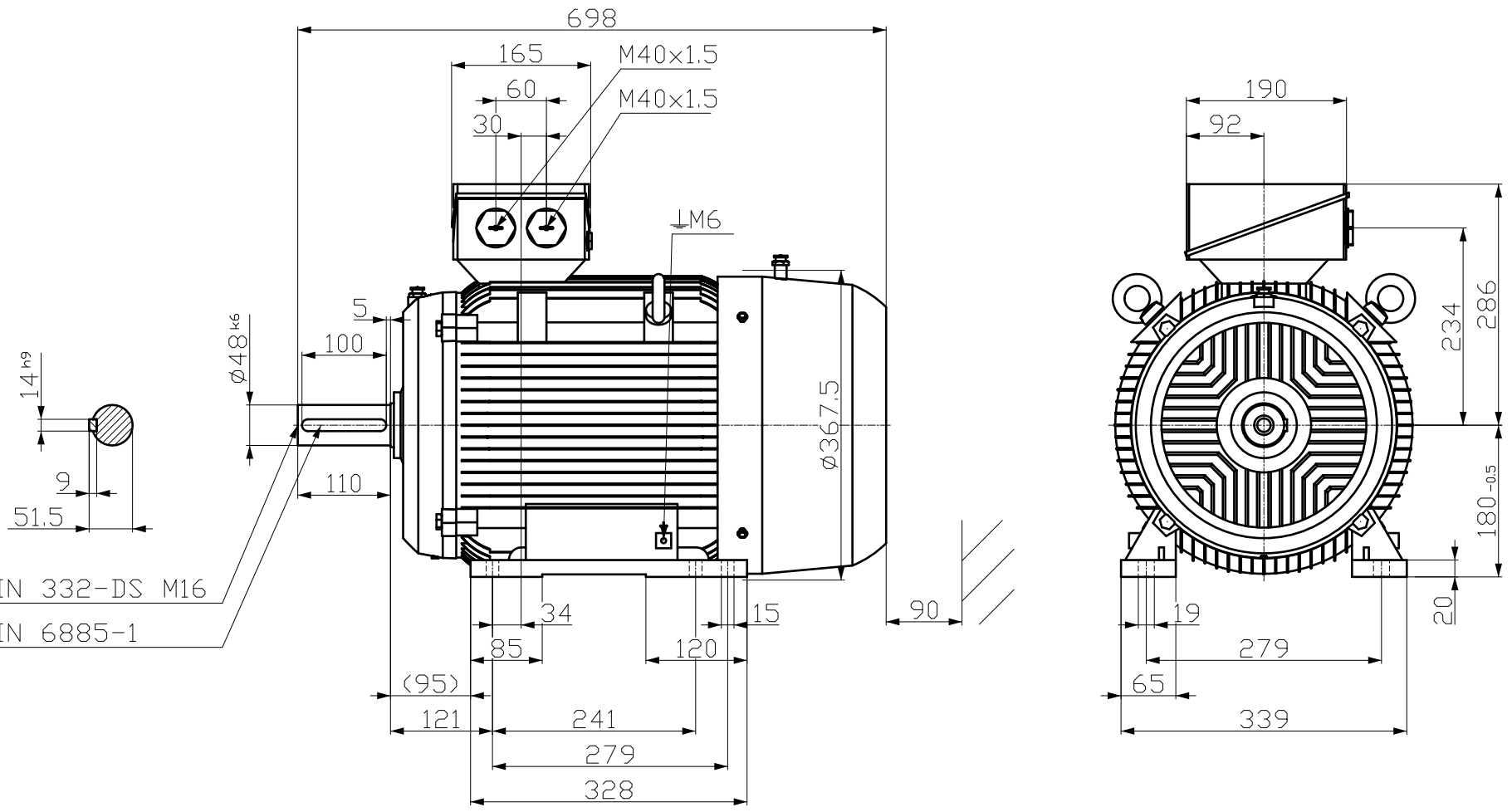
Remarks:

U [V]	Δ/Y	f [Hz]	P		I [A]	n [1/min]	M [Nm]	NOM. EFF at ... load [%]			Power factor at ... load			I <sub>A</sub> /I <sub>N</sub> I <sub>L</sub> /I <sub>N</sub>	M <sub>A</sub> /M <sub>N</sub> T <sub>I</sub> /T <sub>N</sub>	M <sub>k</sub> /M <sub>N</sub> T <sub>B</sub> /T <sub>N</sub>	IE-CL
			[kW]	[hp]				4/4	3/4	2/4	4/4	3/4	2/4				
230	Δ	50	22.00	- / -	67.00	2950	71.0	92.7	93.2	92.9	0.89	0.86	0.79	7.5	2.3	3.5	IE3
400	Y	50	22.00	- / -	38.50	2950	71.0	92.7	93.2	92.9	0.89	0.86	0.79	7.5	2.3	3.5	IE3
460	Y	60	24.50	- / -	37.50	3550	66.0	91.7	92.0	91.4	0.89	0.86	0.79	7.7	2.3	3.6	IE3
460	Y	60	22.00	- / -	34.00	3560	59.0	91.7	91.8	90.9	0.89	0.89	0.80	9.0	2.5	3.9	IE3
IM B3 / IM 1001			FS 180 M		160 kg	IP55	CC032A	IEC/EN 60034		IEC, DIN, ISO, VDE, EN							

Mechanical data			Terminal box	
Sound pressure level 50Hz/60Hz (load)	73 dB(A)	78 dB(A)	Terminal box position	top
Moment of inertia	0.08 kg m <sup>2</sup>		Material of terminal box	cast iron
Bearing DE   NDE	6310 C3	6310 C3	Type of terminal box	TB1 J01
Relubrication interval/quantity	10 g   10 g 4000 h		Contact screw thread	M5
Lubricants	Esso Unirex N3		Max. cross-sectional area	16.0 mm <sup>2</sup>
Regreasing device	Yes (standard)		Cable diameter from ... to ...	19.0 mm - 28.0 mm
Grease nipple	M10x1 DIN 3404 A		Cable entry	2xM40x1,5-1xM16x1,5
Type of bearing	Locating bearing NDE		Cable gland	3 plugs
Condensate drainage holes	Yes (standard)		Special design (0)	
External earthing terminal	Yes (standard)			
Vibration severity grade	A			
Insulation	155(F) to 130(B)			
Duty type	S1			
Direction of rotation	bidirectional			
Frame material	cast iron			
Data of anti condensation heating	-/-			
Coating (paint finish)	Special paint finish C3			
Color, paint shade	RAL7030			
Motor protection	(B) 3 PTC thermistors - for tripping (standard) (2 terminals)			
Method of cooling	IC411 - self ventilated, surface cooled			

Environmental conditions	
Ambient temperature	-20 °C - +40 °C
Altitude above sea level	1000 m

刀线管  
 用文全  
 图  
 积  
 01  
 02  
 03  
 04  
 05  
 06  
 07  
 08  
 09  
 10  
 11  
 12  
 13  
 14  
 15  
 16  
 17  
 18  
 19  
 20  
 21  
 22  
 23  
 24  
 25  
 26  
 27  
 28  
 29  
 30  
 31  
 32  
 33  
 34  
 35  
 36  
 37  
 38  
 39  
 40  
 41  
 42  
 43  
 44  
 45  
 46  
 47  
 48  
 49  
 50  
 51  
 52  
 53  
 54  
 55  
 56  
 57  
 58  
 59  
 60  
 61  
 62  
 63  
 64  
 65  
 66  
 67  
 68  
 69  
 70  
 71  
 72  
 73  
 74  
 75  
 76  
 77  
 78  
 79  
 80  
 81  
 82  
 83  
 84  
 85  
 86  
 87  
 88  
 89  
 90  
 91  
 92  
 93  
 94  
 95  
 96  
 97  
 98  
 99  
 100



Tolerance	Surface	Material	Weight	Scale
F50 F10	Author	ÖVS	È	1:1
È	Creator	Tæ: ^æ@`)*		
	Approval			
	Department			
	Change Order	MFB		Doc Type
	Doc. State	GHEI		Paper Size
	Revision	Index RS		1st Language
© Siemens AG 2018	Project No	È		2nd Language
	Ref No	È		Sheet F of F