



MLFB-Ordering data: **1LE1603-1DA22-2AB4**

Motor type: **1CV3162A**

Client order no.:

Item no.:

Order no.:

Consignment no.:

Offer no.:

Project:

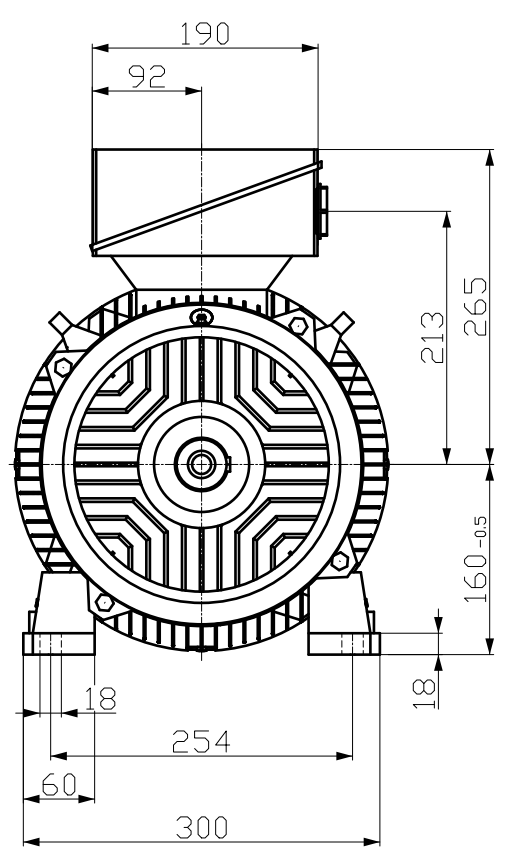
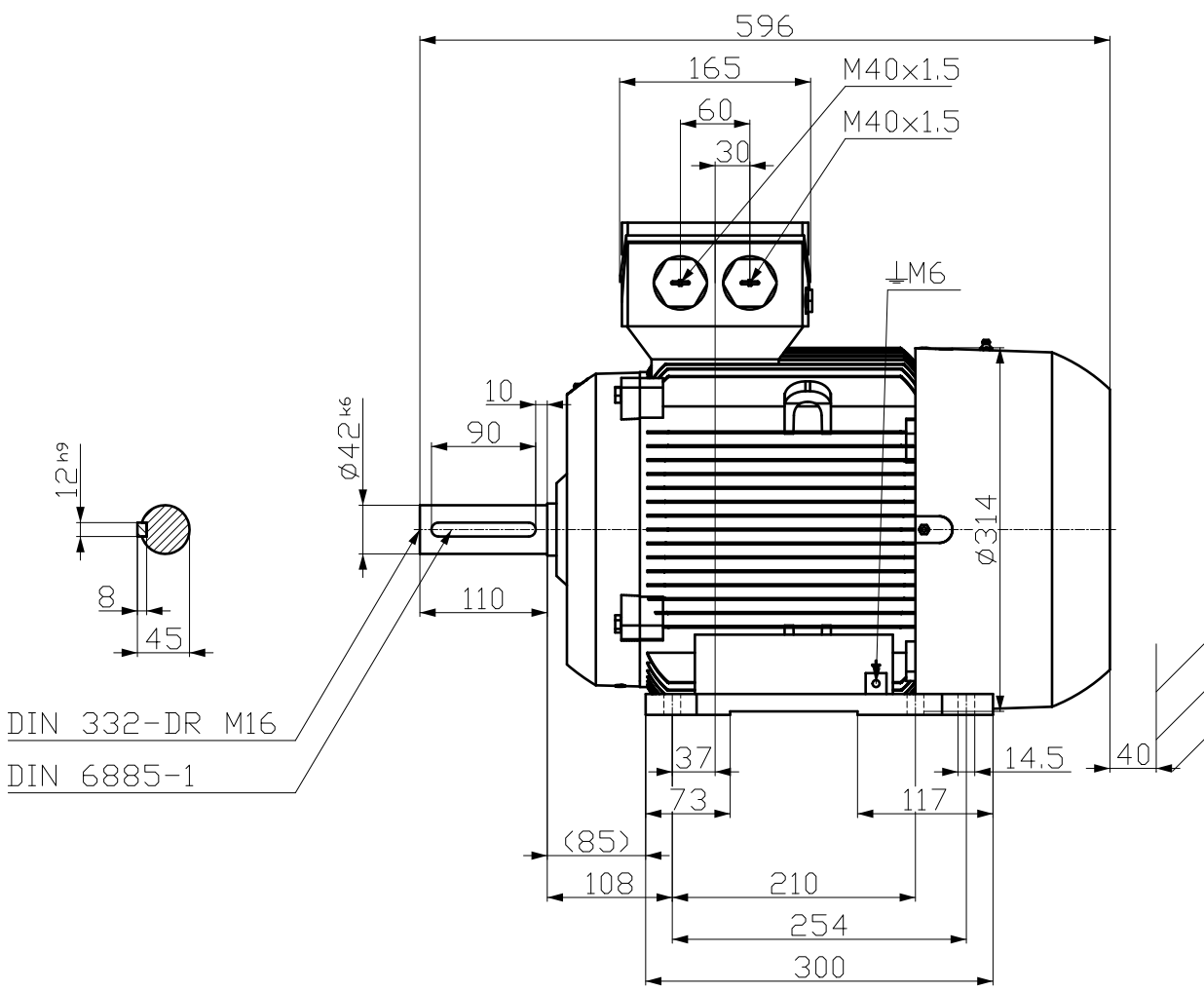
Remarks:

U [V]	Δ/Y	f [Hz]	P [kW]	P [hp]	I [A]	n [1/min]	M [Nm]	NOM. EFF at ... load [%]			Power factor at ... load			I _A /I _N I _A /I _N	M _A /M _N T _f /T _N	M _k /M _N T _B /T _N	IE-CL
								4/4	3/4	2/4	4/4	3/4	2/4				
230	Δ	50	11.00	- / -	34.50	2955	36.0	91.2	91.0	89.5	0.89	0.86	0.78	7.9	2.4	3.8	IE3
400	Y	50	11.00	- / -	19.60	2955	36.0	91.2	91.0	89.5	0.89	0.86	0.78	7.9	2.4	3.8	IE3
460	Y	60	12.60	- / -	19.50	3555	33.0	91.0	90.7	89.0	0.89	0.87	0.80	7.9	2.8	3.7	IE3
460	Y	60	11.00	- / -	17.20	3560	30.0	91.0	90.2	88.0	0.88	0.85	0.77	8.9	3.2	4.3	IE3
IM B3 / IM 1001		FS 160 M		100 kg	IP55	CC032A	IEC/EN 60034		IEC, DIN, ISO, VDE, EN								

Mechanical data			Terminal box	
Sound pressure level 50Hz/60Hz (load)	70 dB(A)	77 dB(A)	Terminal box position	top
Moment of inertia	0.053 kg m ²		Material of terminal box	cast iron
Bearing DE NDE	6309 Z C3	6309 Z C3	Type of terminal box	TB1 J01
Relubrication interval/quantity	10 g 10 g 8000 h		Contact screw thread	M5
Lubricants	Esso Unirex N3		Max. cross-sectional area	16.0 mm ²
Regreasing device	Yes (standard)		Cable diameter from ... to ...	19.0 mm - 28.0 mm
Grease nipple			Cable entry	2xM40x1,5-1xM16x1,5
Type of bearing	Locating bearing NDE		Cable gland	3 plugs
Condensate drainage holes	Yes (standard)		Special design (0)	
External earthing terminal				
Vibration severity grade	A			
Insulation	155(F) to 130(B)			
Duty type	S1			
Direction of rotation	bidirectional			
Frame material	cast iron			
Data of anti condensation heating	-/-			
Coating (paint finish)	Special paint finish C3			
Color, paint shade	RAL7030			
Motor protection	(B) 3 PTC thermistors - for tripping (standard) (2 terminals)			
Method of cooling	IC411 - self ventilated, surface cooled			

Environmental conditions	
Ambient temperature	-20 °C - +40 °C
Altitude above sea level	1000 m

刀线管
 用文全
 积
 01
 02
 03
 04
 05
 06
 07
 08
 09
 10
 11
 12
 13
 14
 15
 16
 17
 18
 19
 20
 21
 22
 23
 24
 25
 26
 27
 28
 29
 30
 31
 32
 33
 34
 35
 36
 37
 38
 39
 40
 41
 42
 43
 44
 45
 46
 47
 48
 49
 50
 51
 52
 53
 54
 55
 56
 57
 58
 59
 60
 61
 62
 63
 64
 65
 66
 67
 68
 69
 70
 71
 72
 73
 74
 75
 76
 77
 78
 79
 80
 81
 82
 83
 84
 85
 86
 87
 88
 89
 90
 91
 92
 93
 94
 95
 96
 97
 98
 99
 100



DIN 332-DR M16
 DIN 6885-1

Tolerance	Surface	Material	Weight	Scale
F50F1 E-F000000	Author	ÖVS	È	{ }
È	Creator	ÖVS		
	Approval	T æ : ^æ@` } *		
	Department			
	Change Order	MFB		Doc Type
	Doc. State	GFE È I		Paper Size CH
	Revision	Index RS		1st Language ^ }
				2nd Language à ^
© Siemens AG 2018	Project No È	Ref No È		Sheet F of F

SIEMENS