



MLFB-Ordering data: 1LE1503-1CA13-4AA4-Z
F74+L25

Motor type: 1CV3131A

Client order no.:

Item no.:

Order no.:

Consignment no.:

Offer no.:

Project:

Remarks:

U [V]	Δ/Y	f [Hz]	P [kW]	P [hp]	I [A]	n [1/min]	M [Nm]	NOM. EFF at ... load [%]			Power factor at ... load			I _A /I _N I _L /I _N	M _A /M _N T _r /T _N	M _k /M _N T _B /T _N	IE-CL
								4/4	3/4	2/4	4/4	3/4	2/4				
400	Δ	50	7.50	- / -	13.10	2950	25.0	90.1	91.0	91.0	0.92	0.90	0.84	8.3	1.9	3.9	IE3
690	Y	50	7.50	- / -	7.60	2950	25.0	90.1	91.0	91.0	0.92	0.90	0.84	8.3	1.9	3.9	IE3
460	Δ	60	8.60	- / -	13.00	3550	23.0	90.2	90.8	90.5	0.92	0.90	0.84	8.2	2.0	3.9	IE3
460	Δ	60	7.50	- / -	11.50	3560	20.0	90.2	90.4	89.6	0.91	0.88	0.82	9.4	2.2	4.5	IE3
IM B3 / IM 1001		FS 132 S		73 kg	IP55	CC032A	IEC/EN 60034		IEC, DIN, ISO, VDE, EN								

Mechanical data			Terminal box	
Sound pressure level 50Hz/60Hz (load)	68 dB(A)	72 dB(A)	Terminal box position	top
Moment of inertia	0.031 kg m ²		Material of terminal box	cast iron
Bearing DE NDE	6308 2Z C3	6308 2Z C3	Type of terminal box	TB1 H01
Bearing lifetime	40000 h		Contact screw thread	M4
Lubricants	Esso Unirex N3		Max. cross-sectional area	6.0 mm ²
Regreasing device	No		Cable diameter from ... to ...	11.0 mm - 21.0 mm
Grease nipple	- / -		Cable entry	2xM32x1,5
Type of bearing	Preloaded bearing DE		Cable gland	2 plugs
Condensate drainage holes	Yes (standard)		<div style="border: 1px solid black; padding: 5px; text-align: center;"> Special design (2) </div> <p>F74 Sheet steel fan cowl</p> <p>L25 Double sides reinforced bearings for DE and NDE, Type 63</p>	
External earthing terminal	No			
Vibration class	A			
Insulation	155(F) to 130(B)			
Duty type	S1			
Direction of rotation	bidirectional			
Frame material	cast iron			
Data of anti condensation heating	- / -			
Coating (paint finish)	Standard paint finish C2			
Color, paint shade	RAL7030			
Motor protection	(A) without (Standard)			
Method of cooling	IC411 - self ventilated, surface cooled			

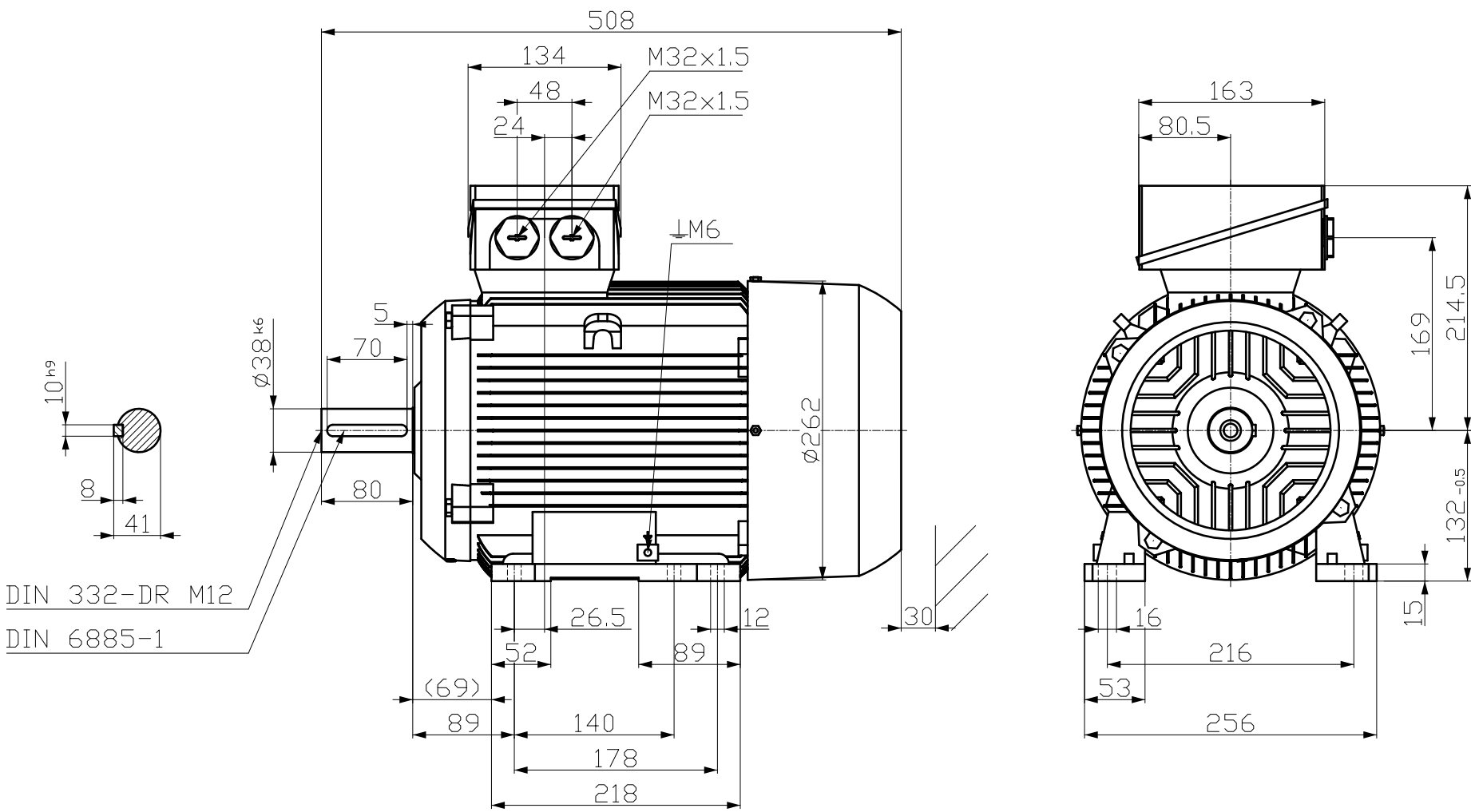
Environmental conditions	
Ambient temperature	-20 °C - +40 °C
Altitude above sea level	1000 m

刀级管
用文
转
为
口
积

刀级管
用文
转
为
口
积

刀级管
用文
转
为
口
积

刀级管
用文
转
为
口
积



DIN 332-DR M12
DIN 6885-1

Tolerance	Surface	Material	Weight	Scale
F30F1 0.1 ± 0.05		ÖS T æ : ^@~}*	É	{ {
SIEMENS	Author	MLFB	Doc Type	/
© Siemens AG 2016	Doc. State	Item No	Paper Size	CH
	Revision	Doc No	1st Language	^}
	Index	Ref No	2nd Language	â^
	Project No	É	Sheet	F of F