

Data sheet for three-phase Squirrel-Cage-Motors SIMOTICS



Motor type : 1AV3116A

SIMOTICS GP - 112 M - IM B35 - 2p

Client order no.	Item-No.	Offer no.
Order no.	Consignment no.	Project
Remarks		

Electrical data

Safe Area

U [V]	Δ / Y	f [Hz]	P [kW]	P [hp]	I [A]	n [1/min]	M [Nm]	η ³⁾			$\cos\phi$ ³⁾			I_A/I_N I_i/I_N	M_A/M_N T_i/T_N	M_K/M_N T_B/T_N	IE-CL
								4/4	3/4	2/4	4/4	3/4	2/4				
230	Δ	50	5.50	-/-	18.00	2950	17.8	89.2	89.5	88.8	0.86	0.82	0.73	8.8	2.7	3.9	IE3
400	Y	50	5.50	-/-	10.40	2950	17.8	89.2	89.5	88.8	0.86	0.82	0.73	8.8	2.7	3.9	IE3
460	Y	60	6.30	-/-	10.00	3550	16.9	89.5	89.8	88.7	0.88	0.84	0.76	9.2	2.8	4.0	IE3
460	Y	60	5.50	-/-	9.00	3560	14.8	89.5	89.3	87.8	0.86	0.81	0.72	10.4	3.1	4.7	IE3
IM B35 / IM 2001		FS 112 M		IP55		IEC/EN 60034		IEC, DIN, ISO, VDE, EN									
Environmental conditions : -20 °C - +40 °C / 1000 m								Locked rotor time (hot / cold) : 7.14 s 10.8 s									

Mechanical data

Sound level (SPL / SWL) at 50Hz 60Hz	69 / 77 dB(A) ²⁾	73 / 81 dB(A) ²⁾	Vibration severity grade	A
Moment of inertia	0.0096 kg m ²		Insulation	155(F) to 130(B)
Bearing DE NDE	6206 2Z C3	6206 2Z C3	Duty type	S1
bearing lifetime			Direction of rotation	bidirectional
L _{10mh} , F _{Rad} min 50 60Hz ¹⁾ for coupling operation	40000 h	32000 h	Frame material	aluminum
Lubricants	Unirex N3		Net weight of the motor (IM B3)	36 kg
Regreasing device	No		Coating (paint finish)	Standard paint finish C2
Grease nipple	-/-		Color, paint shade	RAL7030
Type of bearing	Preloaded bearing DE		Motor protection	(A) without (Standard)
Condensate drainage holes	No		Method of cooling	IC411 - self ventilated, surface cooled
External earthing terminal	No			

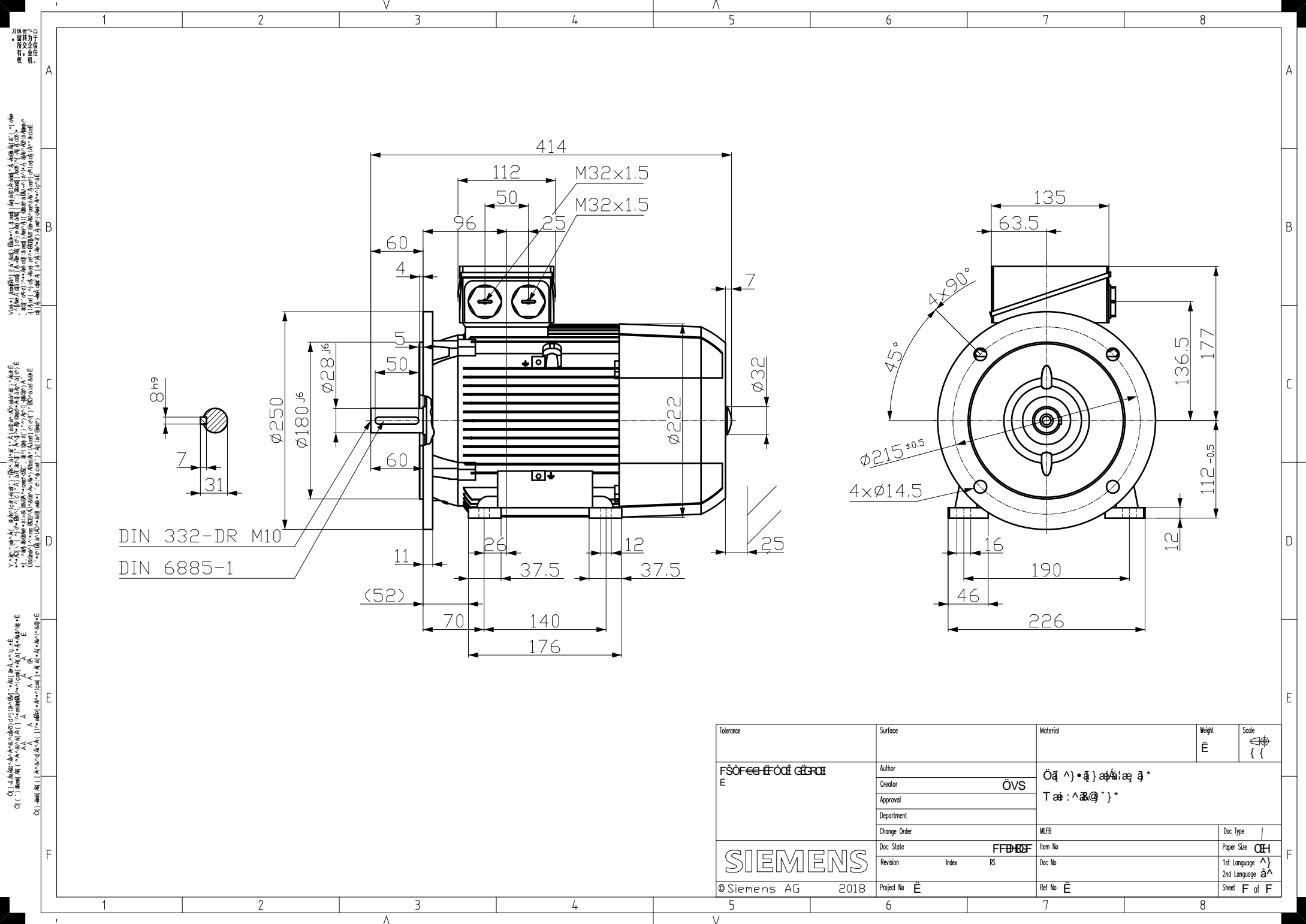
Terminal box

Terminal box position	top	Max. cross-sectional area	4 mm ²
Material of terminal box	Aluminium	Cable diameter from ... to ...	11 mm - 21 mm
Type of terminal box	TB1 F00	Cable entry	2xM32x1,5
Contact screw thread	M4	Cable gland	2 plugs

Notes:

I_A/I_N = locked rotor current / current nominal
 M_A/M_N = locked rotor torque / torque nominal
 M_K/M_N = break down torque / nominal torque
 1) L10mh according to DIN ISO 281 10/2010
 2) at rated power / at full load
 3) Value is valid only for DOL operation with motor design IC411

responsible dep. DI MC LVM	technical reference	created by DT Configurator	approved by	<i>Technical data are subject to change! There may be discrepancies between calculated and rating plate values.</i>			
SIEMENS	document type datasheet	document status released		customer			
	title 1LE1003-1BA62-2JA4	document number					
© Siemens AG 2021	rev. 01	creation date 2021-11-03 15:16	language en	Page 1/1			



DIN 332-DR M10
DIN 6885-1

Tolerance	Surface	Material	Weight	Scale
FSÖFEH-FÓDÍ GÉRCÁ	Author	ÖV	Öá ^)•á)á/á/á/á *	{ {
É	Creator	ÖVS	T á: ^á@`)*	
	Approval			
	Department			
	Change Order	MFB	Doc Type	/
	Doc. State	FFB/EF	Item No	Paper Size CH
	Revision	Index RS	Doc No	1st Language ^)
				2nd Language á^
© Siemens AG 2018	Project No É	Ref No É	Sheet F	of F

SIEMENS