



MLFB-Ordering data: **1LE1003-1CA02-2AA4**

Motor type: **1AV3130A**

Client order no.:

Item no.:

Order no.:

Consignment no.:

Offer no.:

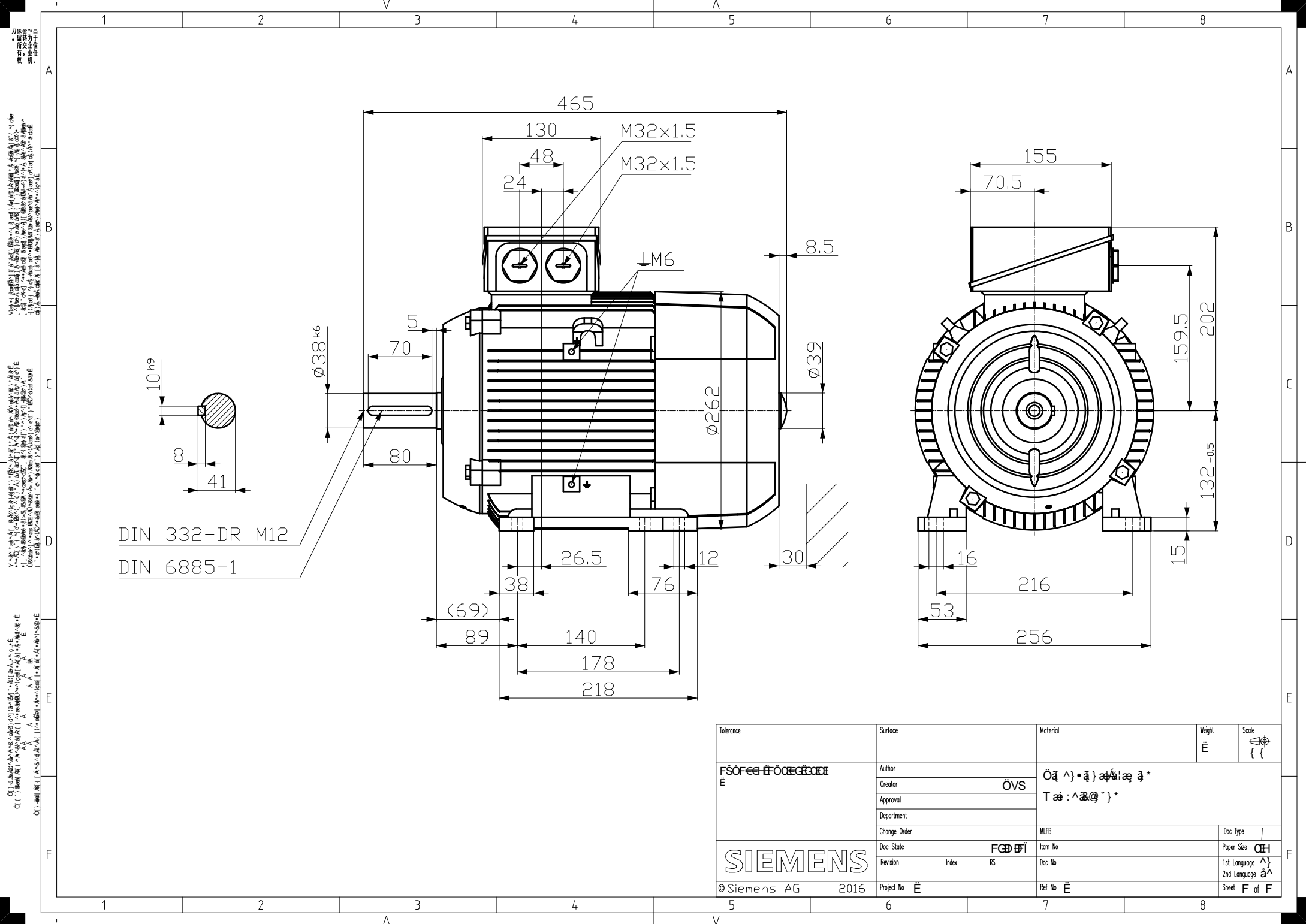
Project:

Remarks:

U [V]	Δ/Y	f [Hz]	P [kW]	P [hp]	I [A]	n [1/min]	M [Nm]	NOM. EFF at ... load [%]			Power factor at ... load			I _A /I _N I/I _N	M _A /M _N T _r /T _N	M _k /M _N T _B /T _N	IE-CL
								4/4	3/4	2/4	4/4	3/4	2/4				
230	Δ	50	5.50	- / -	17.20	2950	18.0	89.2	90.0	89.7	0.90	0.87	0.79	7.4	1.8	3.6	IE3
400	Y	50	5.50	- / -	9.90	2950	18.0	89.2	90.0	89.7	0.90	0.87	0.79	7.4	1.8	3.6	IE3
460	Y	60	6.30	- / -	9.80	3545	17.0	89.5	90.0	89.3	0.90	0.87	0.80	7.5	1.8	3.7	IE3
460	Y	60	5.50	- / -	8.70	3555	15.0	89.5	89.5	88.2	0.89	0.85	0.77	8.6	2.1	4.2	IE3
IM B3 / IM 1001		FS 132 S		43 kg	IP55	CC032A	IEC/EN 60034		IEC, DIN, ISO, VDE, EN								

Mechanical data		Terminal box	
Sound pressure level 50Hz/60Hz (load)	68 dB(A) 72 dB(A)	Terminal box position	top
Moment of inertia	0.024 kg m ²	Material of terminal box	Aluminium
Bearing DE NDE	6208 2Z C3 6208 2Z C3	Type of terminal box	TB1 H00
Bearing lifetime	40000 h	Contact screw thread	M4
Lubricants	Esso Unirex N3	Max. cross-sectional area	6.0 mm ²
Regreasing device	No	Cable diameter from ... to ...	11.0 mm - 21.0 mm
Grease nipple	- / -	Cable entry	2xM32x1,5
Type of bearing	Preloaded bearing DE	Cable gland	2 plugs
Condensate drainage holes	No	Special design (0)	
External earthing terminal			
Vibration class	A		
Insulation	155(F) to 130(B)		
Duty type	S1		
Direction of rotation	bidirectional		
Frame material	aluminum		
Data of anti condensation heating	- / -		
Coating (paint finish)	Standard paint finish C2		
Color, paint shade	RAL7030		
Motor protection	(A) without (Standard)		
Method of cooling	IC411 - self ventilated, surface cooled		

Environmental conditions	
Ambient temperature	-20 °C - +40 °C
Altitude above sea level	1000 m



DIN 332-DR M12
DIN 6885-1

Tolerance	Surface	Material	Weight	Scale
F50 F6 F7 F8 F9 F10 F11 F12 F13 F14 F15 F16 F17 F18 F19 F20 F21 F22 F23 F24 F25 F26 F27 F28 F29 F30 F31 F32 F33 F34 F35 F36 F37 F38 F39 F40 F41 F42 F43 F44 F45 F46 F47 F48 F49 F50 F51 F52 F53 F54 F55 F56 F57 F58 F59 F60 F61 F62 F63 F64 F65 F66 F67 F68 F69 F70 F71 F72 F73 F74 F75 F76 F77 F78 F79 F80 F81 F82 F83 F84 F85 F86 F87 F88 F89 F90 F91 F92 F93 F94 F95 F96 F97 F98 F99 F100	Author Creator Approval Department Change Order	Material MFB	Weight E	Scale 1:1
F50 F6 F7 F8 F9 F10 F11 F12 F13 F14 F15 F16 F17 F18 F19 F20 F21 F22 F23 F24 F25 F26 F27 F28 F29 F30 F31 F32 F33 F34 F35 F36 F37 F38 F39 F40 F41 F42 F43 F44 F45 F46 F47 F48 F49 F50 F51 F52 F53 F54 F55 F56 F57 F58 F59 F60 F61 F62 F63 F64 F65 F66 F67 F68 F69 F70 F71 F72 F73 F74 F75 F76 F77 F78 F79 F80 F81 F82 F83 F84 F85 F86 F87 F88 F89 F90 F91 F92 F93 F94 F95 F96 F97 F98 F99 F100	Doc State Revision Index RS	Item No Doc No	Paper Size 1st Language 2nd Language	Doc Type CH a^ a^
© Siemens AG 2016	Project No E	Ref No E	Sheet F of F	

SIEMENS