

Data sheet for three-phase Squirrel-Cage-Motors SIMOTICS



Motor type : 1AV3112A

SIMOTICS GP - 112 M - IM B35 - 2p

Client order no.	Item-No.	Offer no.
Order no.	Consignment no.	Project
Remarks		

Electrical data

Safe Area

U [V]	Δ / Y	f [Hz]	P [kW]	P [hp]	I [A]	n [1/min]	M [Nm]	η ³⁾			$\cos\phi$ ³⁾			I_A/I_N I_f/I_N	M_A/M_N T_f/T_N	M_K/M_N T_B/T_N	IE-CL
								4/4	3/4	2/4	4/4	3/4	2/4				
DOL duty (S1) - 155(F) to 130(B)																	
400	Δ	50	4.00	-/-	7.40	2945	13.0	88.1	88.8	87.9	0.89	0.84	0.76	9.1	2.6	3.6	IE3
690	Y	50	4.00	-/-	4.25	2945	13.0	88.1	88.8	87.9	0.89	0.84	0.76	9.1	2.6	3.6	IE3
460	Δ	60	4.55	-/-	7.30	3545	12.3	88.5	88.5	87.2	0.89	0.85	0.78	9.7	2.7	3.8	IE3
460	Δ	60	4.00	-/-	6.40	3550	10.8	88.5	88.4	86.7	0.88	0.83	0.75	10.9	3.1	4.3	IE3
IM B35 / IM 2001		FS 112 M		IP55		IEC/EN 60034		IEC, DIN, ISO, VDE, EN									
Environmental conditions : -20 °C - +40 °C / 1000 m										Locked rotor time (hot / cold) : 7.15 s 10.4 s							

Mechanical data

Sound level (SPL / SWL) at 50Hz 60Hz	69 / 81 dB(A) ²⁾	73 / 85 dB(A) ²⁾	Vibration severity grade	A
Moment of inertia	0.0079 kg m ²		Thermal class	F
Bearing DE NDE	6206 2Z C3	6206 2Z C3	Duty type	S1
bearing lifetime			Direction of rotation	bidirectional
L_{10mh} , F_{Rad} , m_{min} for coupling operation 50 60Hz	40000 h	32000 h	Frame material	aluminum
Lubricants	Unirex N3		Net weight of the motor (IM B3)	32 kg
Regreasing device	No		Coating (paint finish)	Standard paint finish C2
Grease nipple	-/-		Color, paint shade	RAL7030
Type of bearing	Preloaded bearing DE		Motor protection	(A) without (Standard)
Condensate drainage holes	No		Method of cooling	IC411 - self ventilated, surface cooled
External earthing terminal	No			

Terminal box

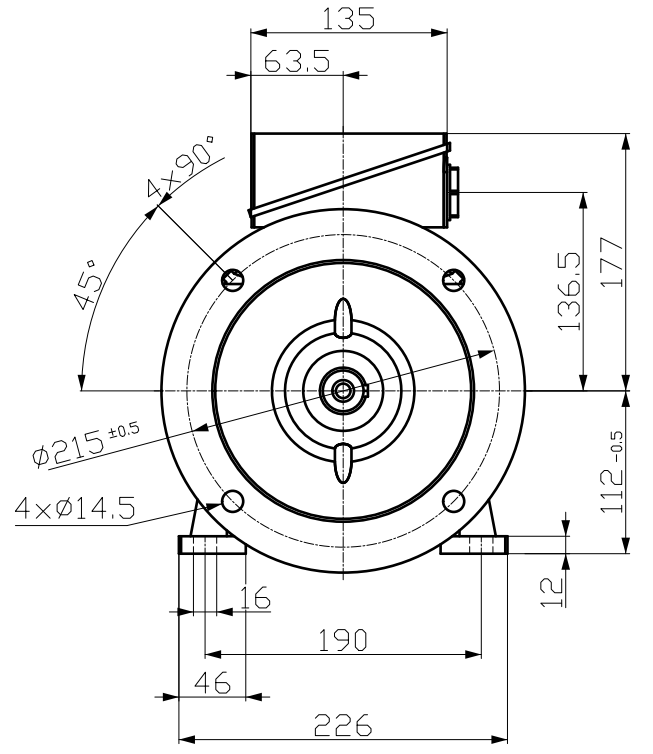
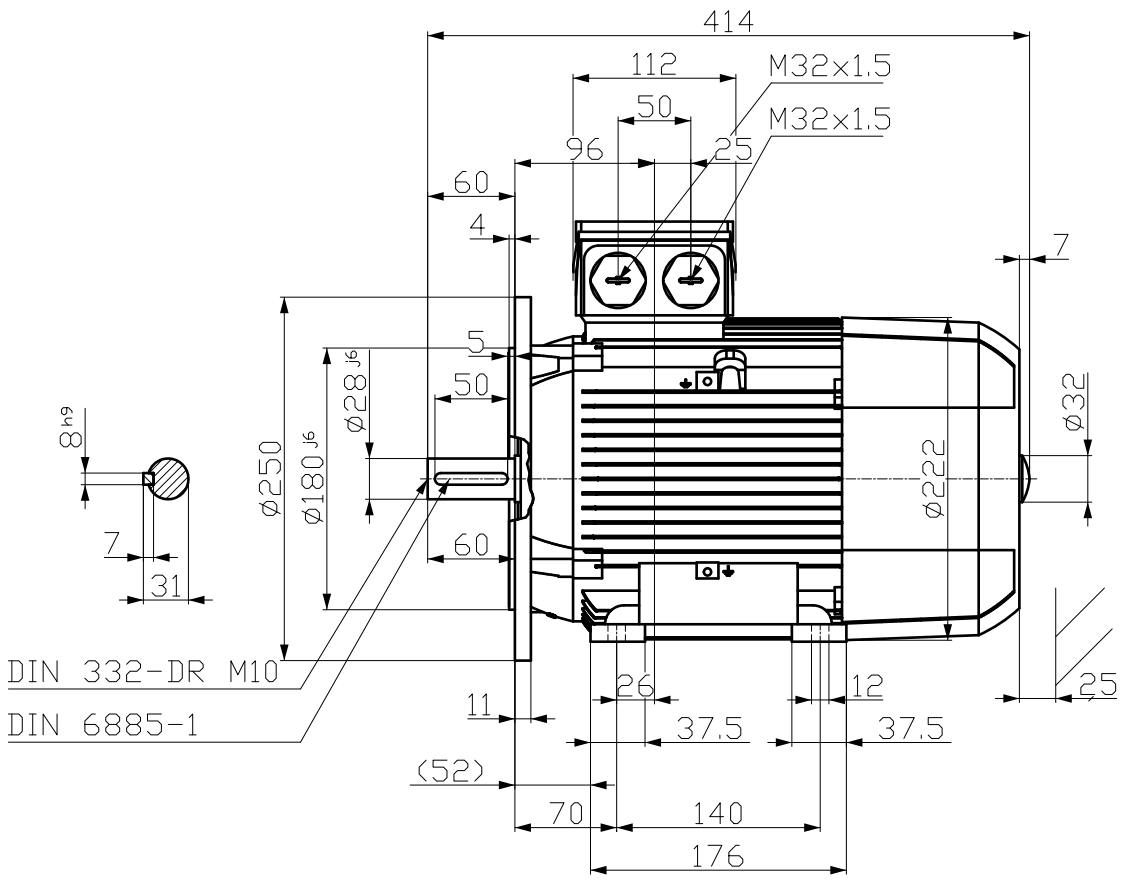
Terminal box position	top	Max. cross-sectional area	4 mm ²
Material of terminal box	Aluminium	Cable diameter from ... to ...	11 mm - 21 mm
Type of terminal box	TB1 F00	Cable entry	2xM32x1,5
Contact screw thread	M4	Cable gland	2 plugs

Notes:

I_A/I_N = locked rotor current / current nominal
 M_A/M_N = locked rotor torque / torque nominal
 M_K/M_N = break down torque / nominal torque
 1) L10mh according to DIN ISO 281 10/2010
 2) at rated power / at full load
 3) Value is valid only for DOL operation with motor design IC411

responsible dep. DI MC LVM	technical reference	created by DT Configurator	approved by	<i>Technical data are subject to change! There may be discrepancies between calculated and rating plate values.</i>	Link documents
	document type datasheet	document status released			
	title 1LE1003-1BA23-4JA4	document number			
© Siemens AG 2021	rev. 01	creation date 2021-12-13	language en		

刀线管
 用文全
 图
 积
 01
 02
 03
 04
 05
 06
 07
 08
 09
 10
 11
 12
 13
 14
 15
 16
 17
 18
 19
 20
 21
 22
 23
 24
 25
 26
 27
 28
 29
 30
 31
 32
 33
 34
 35
 36
 37
 38
 39
 40
 41
 42
 43
 44
 45
 46
 47
 48
 49
 50
 51
 52
 53
 54
 55
 56
 57
 58
 59
 60
 61
 62
 63
 64
 65
 66
 67
 68
 69
 70
 71
 72
 73
 74
 75
 76
 77
 78
 79
 80
 81
 82
 83
 84
 85
 86
 87
 88
 89
 90
 91
 92
 93
 94
 95
 96
 97
 98
 99
 100



Tolerance	Surface	Material	Weight	Scale
F50 F60 F70 F80 F90			E	1:1
E	Author	Creator	Item No	Paper Size
		ÖVS		CH
	Approval	Department	Doc No	1st Language
				2nd Language
	Change Order	Material	Ref No	Sheet
		MFB	E	F of F
	Doc. State	Revision	Project No	
	FCB FCB	RS	E	
SIEMENS				
© Siemens AG 2018				