



MLFB-Ordering data: **1LE1503-1BA22-2FA4-Z  
F74**

Motor type: **1CV3112A**

Client order no.:

Item no.:

Order no.:

Consignment no.:

Offer no.:

Project:

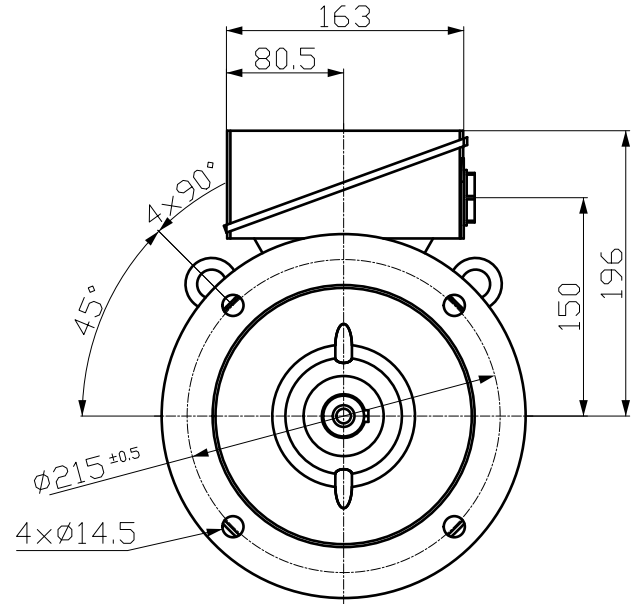
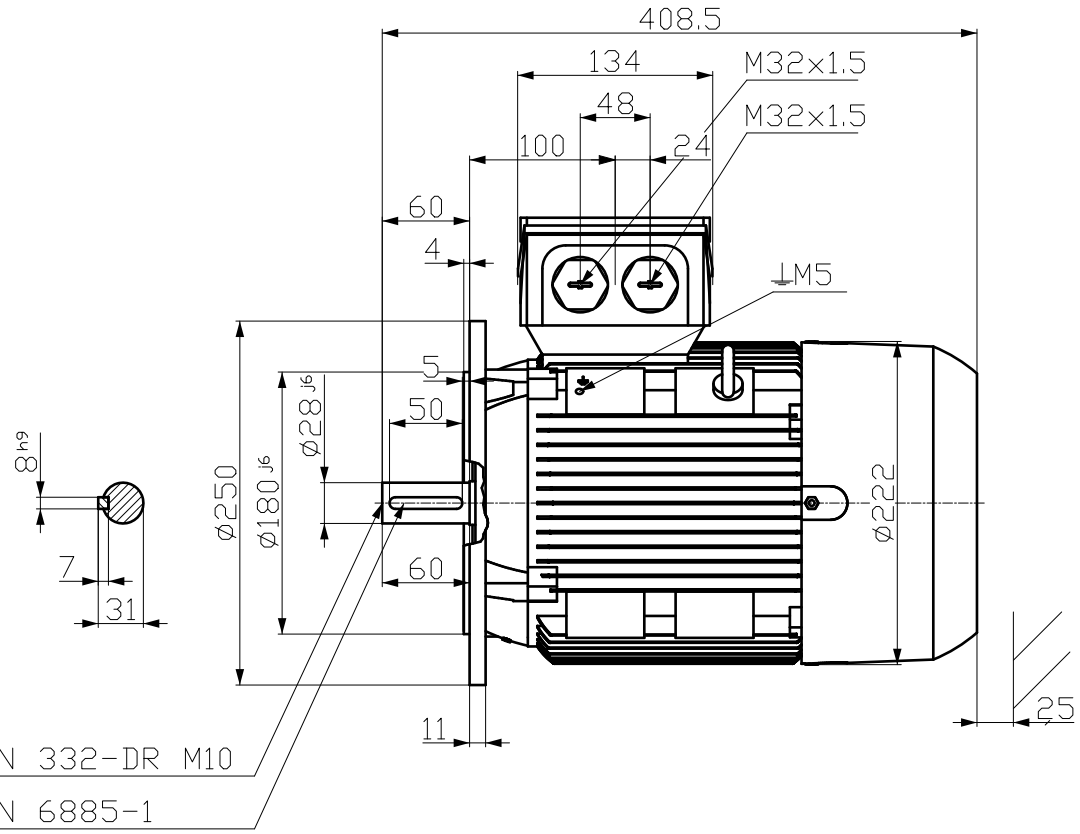
Remarks:

U [V]	Δ/Y	f [Hz]	P [kW]	P [hp]	I [A]	n [1/min]	M [Nm]	NOM. EFF at ... load [%]			Power factor at ... load			I <sub>A</sub> /I <sub>N</sub> I/I <sub>N</sub>	M <sub>A</sub> /M <sub>N</sub> T <sub>f</sub> /T <sub>N</sub>	M <sub>k</sub> /M <sub>N</sub> T <sub>B</sub> /T <sub>N</sub>	IE-CL
								4/4	3/4	2/4	4/4	3/4	2/4				
230	Δ	50	4.00	- / -	12.70	2945	13.0	88.1	89.1	88.7	0.90	0.88	0.81	8.2	1.8	3.5	IE3
400	Y	50	4.00	- / -	7.30	2945	13.0	88.1	89.1	88.7	0.90	0.88	0.81	8.2	1.8	3.5	IE3
460	Y	60	4.55	- / -	7.30	3545	12.0	87.5	88.1	87.3	0.90	0.87	0.81	8.5	2.0	3.7	IE2
460	Y	60	4.00	- / -	6.00	3560	10.0	88.5	88.2	86.6	0.88	0.84	0.76	10.3	2.5	4.5	IE3
IM B5 / IM 3001		FS 112 M		45 kg	IP55	CC032A	IEC/EN 60034		IEC, DIN, ISO, VDE, EN								

Mechanical data			Terminal box	
Sound pressure level 50Hz/60Hz (load)	69 dB(A)	73 dB(A)	Terminal box position	top
Moment of inertia	0.012 kg m <sup>2</sup>		Material of terminal box	cast iron
Bearing DE   NDE	6206 2Z C3	6206 2Z C3	Type of terminal box	TB1 F01
Bearing lifetime	40000 h		Contact screw thread	M4
Lubricants	Esso Unirex N3		Max. cross-sectional area	4.0 mm <sup>2</sup>
Regreasing device	No		Cable diameter from ... to ...	11.0 mm - 21.0 mm
Grease nipple	- / -		Cable entry	2xM32x1,5
Type of bearing	Preloaded bearing DE		Cable gland	2 plugs
Condensate drainage holes	Yes (standard)		<div style="border: 1px solid black; padding: 5px; text-align: center;"> <b>Special design (1)</b>                      F74 Sheet steel fan cowl                 </div>	
External earthing terminal				
Vibration severity grade	A			
Insulation	155(F) to 130(B)			
Duty type	S1			
Direction of rotation	bidirectional			
Frame material	cast iron			
Data of anti condensation heating	-/-			
Coating (paint finish)	Standard paint finish C2			
Color, paint shade	RAL7030			
Motor protection	(A) without (Standard)			
Method of cooling	IC411 - self ventilated, surface cooled			

Environmental conditions	
Ambient temperature	-20 °C - +40 °C
Altitude above sea level	1000 m

刀械... 用... 文... 图... 示... 积...  
 此图... 之... 属... 有... 权... 所... 有... 者... 之... 责... 任...  
 此图... 之... 属... 有... 权... 所... 有... 者... 之... 责... 任...  
 此图... 之... 属... 有... 权... 所... 有... 者... 之... 责... 任...



Tolerance	Surface	Material	Weight	Scale
F50 F7	Author	ÖS	E	1:1
Ø1	Creator			
	Approval	MFB	Doc Type	A4
	Department			
	Change Order			
SIEMENS	Doc State	Item No	Paper Size	1st Language
	Revision	Index	Doc No	
© Siemens AG 2018	Project No	Ref No	Sheet	