



MLFB-Ordering data: **1LE1001-1AA62-2AA4**

Motor type: **1AV2106A**

Client order no.:

Item no.:

Order no.:

Consignment no.:

Offer no.:

Project:

Remarks:

U [V]	Δ/Y	f [Hz]	P [kW]	P [hp]	I [A]	n [1/min]	M [Nm]	NOM. EFF at ... load [%]			Power factor at ... load			I <sub>A</sub> /I <sub>N</sub> I/I <sub>N</sub>	M <sub>A</sub> /M <sub>N</sub> T <sub>f</sub> /T <sub>N</sub>	M <sub>k</sub> /M <sub>N</sub> T <sub>B</sub> /T <sub>N</sub>	IE-CL
								4/4	3/4	2/4	4/4	3/4	2/4				
230	Δ	50	4.00	- / -	13.70	2905	13.0	85.8	86.9	86.5	0.86	0.83	0.74	7.6	2.5	3.5	IE2
400	Y	50	4.00	- / -	7.80	2905	13.0	85.8	86.9	86.5	0.86	0.83	0.74	7.6	2.5	3.5	IE2
460	Y	60	4.55	- / -	7.50	3505	12.0	87.5	88.2	87.6	0.87	0.86	0.79	7.9	2.5	3.5	IE2
460	Y	60	4.00	- / -	6.30	3530	10.0	87.5	87.5	85.9	0.84	0.80	0.71	9.6	3.3	4.6	IE2
IM B3 / IM 1001		FS 100 L		26 kg	IP55	IEC/EN 60034		IEC, DIN, ISO, VDE, EN									

Mechanical data			Terminal box	
Sound pressure level 50Hz/60Hz (load)	67 dB(A)	71 dB(A)	Terminal box position	top
Moment of inertia	0.0054 kg m <sup>2</sup>		Material of terminal box	Aluminium
Bearing DE   NDE	6206 2Z C3	6206 2Z C3	Type of terminal box	TB1 F00
Bearing lifetime	40000 h		Contact screw thread	M4
Lubricants	Esso Unirex N3		Max. cross-sectional area	4.0 mm <sup>2</sup>
Regreasing device	No		Cable diameter from ... to ...	11.0 mm - 21.0 mm
Grease nipple	- / -		Cable entry	2xM32x1,5
Type of bearing	Preloaded bearing DE		Cable gland	2 plugs
Condensate drainage holes	No		Special design (0)	
External earthing terminal				
Vibration severity grade	A			
Insulation	155(F) to 130(B)			
Duty type	S1			
Direction of rotation	bidirectional			
Frame material	aluminum			
Data of anti condensation heating	- / -			
Coating (paint finish)	Standard paint finish C2			
Color, paint shade	RAL7030			
Motor protection	(A) without (Standard)			
Method of cooling	IC411 - self ventilated, surface cooled			

Environmental conditions	
Ambient temperature	-20 °C - +40 °C
Altitude above sea level	1000 m

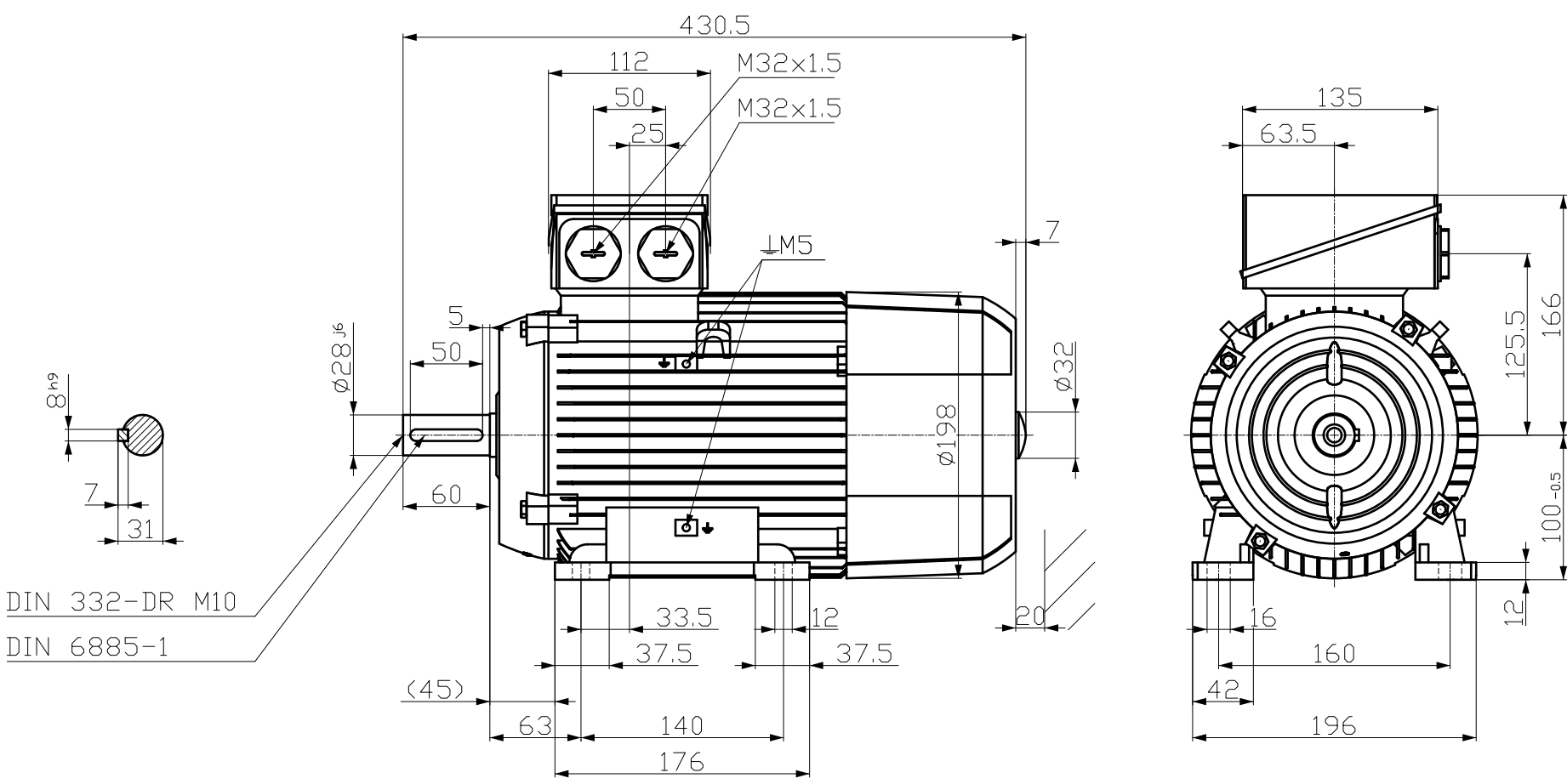
刀线为  
用文  
用文  
用文

刀线为  
用文  
用文  
用文

刀线为  
用文  
用文  
用文

刀线为  
用文  
用文  
用文

刀线为  
用文  
用文  
用文



Tolerance	Surface	Material	Weight	Scale
F50 F60 F70 F80 F90 E	Author Creator Approval Department Change Order	Material	E	
SIEMENS	ÖVS	Material		
© Siemens AG 2018	Doc. State Revision Index RS	Item No Doc No		Paper Size CH 1st Language ^ 2nd Language á^
	Project No E	Ref No E		Sheet F of F