



MLFB-Ordering data: **1LE1503-1AA42-2KA4-Z
F74**

Motor type: **1CV3104A**

Client order no.:

Item no.:

Order no.:

Consignment no.:

Offer no.:

Project:

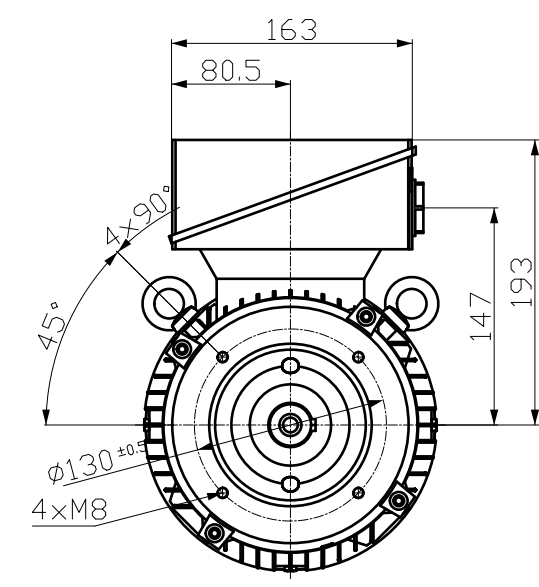
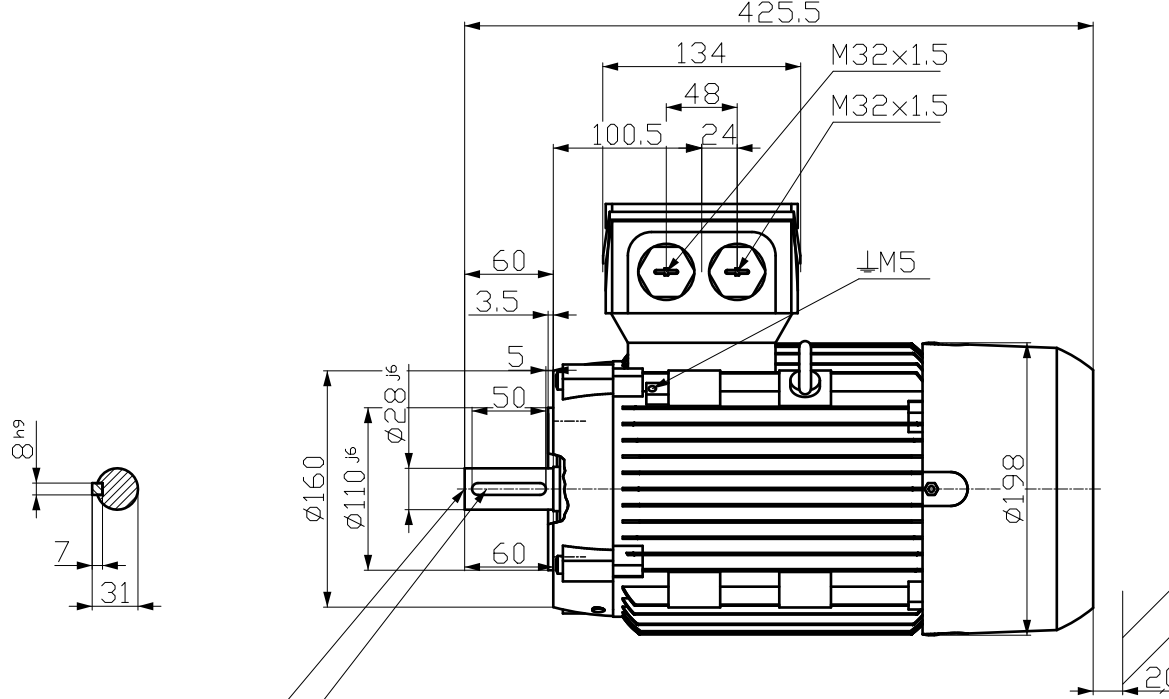
Remarks:

U [V]	Δ/Y	f [Hz]	P		I [A]	n [1/min]	M [Nm]	NOM. EFF at ... load [%]			Power factor at ... load			I _A /I _N I/I _N	M _A /M _N T _f /T _N	M _k /M _N T _B /T _N	IE-CL
			[kW]	[hp]				4/4	3/4	2/4	4/4	3/4	2/4				
230	Δ	50	3.00	- / -	9.90	2920	9.8	87.1	88.0	87.5	0.88	0.84	0.75	8.0	2.8	4.3	IE3
400	Y	50	3.00	- / -	5.60	2920	9.8	87.1	88.0	87.5	0.88	0.84	0.75	8.0	2.8	4.3	IE3
460	Y	60	3.45	- / -	5.60	3515	9.4	87.5	88.1	87.2	0.88	0.84	0.76	8.5	2.7	4.5	IE2
460	Y	60	3.00	- / -	4.90	3530	8.1	88.5	88.4	86.9	0.87	0.82	0.72	9.6	3.1	5.2	IE3
IM B14 / IM 3601			FS 100 L		36 kg	IP55	CC032A	IEC/EN 60034		IEC, DIN, ISO, VDE, EN							

Mechanical data			Terminal box	
Sound pressure level 50Hz/60Hz (load)	67 dB(A)	71 dB(A)	Terminal box position	top
Moment of inertia	0.0054 kg m ²		Material of terminal box	cast iron
Bearing DE NDE	6206 2Z C3	6206 2Z C3	Type of terminal box	TB1 F01
Bearing lifetime	40000 h		Contact screw thread	M4
Lubricants	Esso Unirex N3		Max. cross-sectional area	4.0 mm ²
Regreasing device	No		Cable diameter from ... to ...	11.0 mm - 21.0 mm
Grease nipple	- / -		Cable entry	2xM32x1,5
Type of bearing	Preloaded bearing DE		Cable gland	2 plugs
Condensate drainage holes	Yes (standard)		<div style="border: 1px solid black; padding: 5px; text-align: center;"> Special design (1) F74 Sheet steel fan cowl </div>	
External earthing terminal				
Vibration severity grade	A			
Insulation	155(F) to 130(B)			
Duty type	S1			
Direction of rotation	bidirectional			
Frame material	cast iron			
Data of anti condensation heating	-/-			
Coating (paint finish)	Standard paint finish C2			
Color, paint shade	RAL7030			
Motor protection	(A) without (Standard)			
Method of cooling	IC411 - self ventilated, surface cooled			

Environmental conditions	
Ambient temperature	-20 °C - +40 °C
Altitude above sea level	1000 m

1. 零件名称: 电动机
 2. 设计: ...
 3. ...
 4. ...
 5. ...
 6. ...
 7. ...
 8. ...



DIN 332-DR M10
 DIN 6885-1

Tolerance	Surface	Material	Weight	Scale
FŠÖFI €FFOE €ESÖE E Ø1	Author Creator Approval Department Change Order	ÖVS T æ : ^æ@ } *	È	{ }
SIEMENS	Doc State	Item No	Paper Size CH	
	Revision	Doc No	1st Language ^} 2nd Language â^	
© Siemens AG 2018	Project No È	Ref No È	Sheet F of F	