



**MLFB-Ordering data:** 1LE1003-0EA02-2FA4-Z  
H03

**Motor type:** 1AV3090A

Client order no.:

Item no.:

Order no.:

Consignment no.:

Offer no.:

Project:

Remarks:

U [V]	Δ/Y	f [Hz]	P [kW]	P [hp]	I [A]	n [1/min]	M [Nm]	NOM. EFF at ... load [%]			Power factor at ... load			I <sub>A</sub> /I <sub>N</sub> I <sub>A</sub> /I <sub>N</sub>	M <sub>A</sub> /M <sub>N</sub> T <sub>β</sub> /T <sub>N</sub>	M <sub>k</sub> /M <sub>N</sub> T <sub>B</sub> /T <sub>N</sub>	IE-CL
								4/4	3/4	2/4	4/4	3/4	2/4				
230	Δ	50	1.50	- / -	5.20	2910	4.9	84.2	84.6	83.2	0.86	0.80	0.69	8.1	2.7	4.2	IE3
400	Y	50	1.50	- / -	3.00	2910	4.9	84.2	84.6	83.2	0.86	0.80	0.69	8.1	2.7	4.2	IE3
460	Y	60	1.75	- / -	2.95	3510	4.8	85.5	85.6	84.0	0.87	0.82	0.72	8.7	2.6	4.2	IE3
460	Y	60	1.50	- / -	2.60	3525	4.1	85.5	84.8	82.3	0.84	0.77	0.66	9.8	3.1	4.9	IE3
IM B5 / IM 3001		FS 90 S		15 kg		IP55		IEC/EN 60034			IEC, DIN, ISO, VDE, EN						

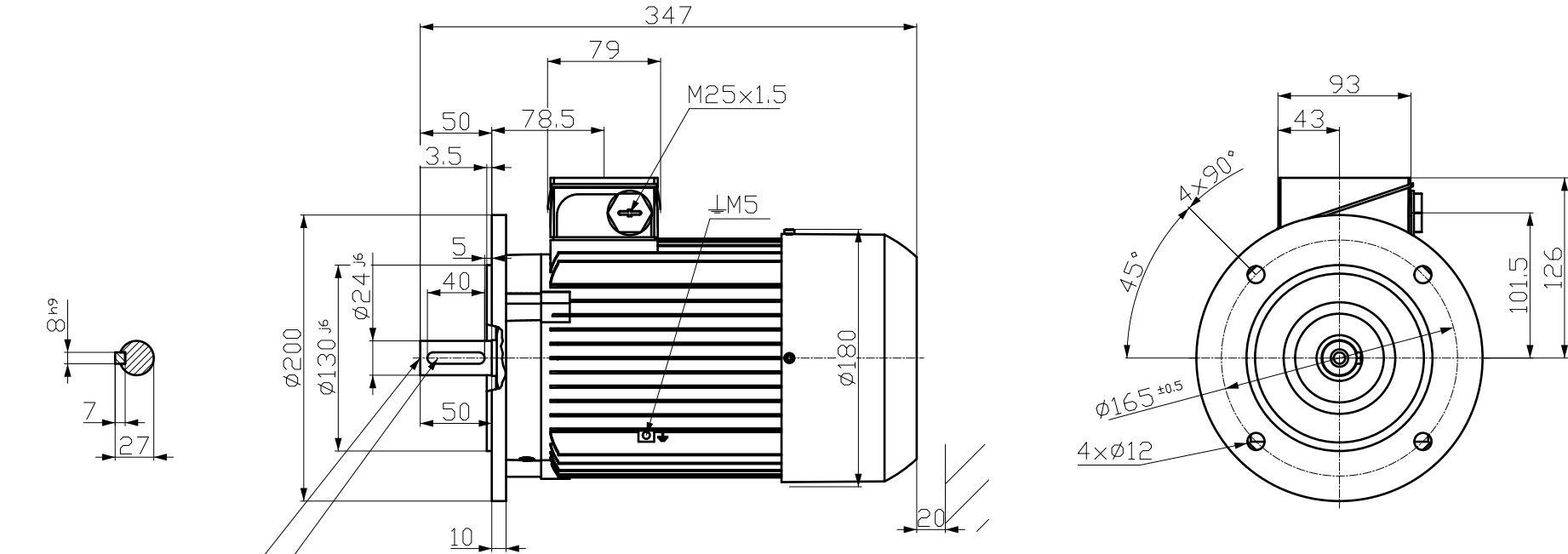
Mechanical data			Terminal box	
Sound pressure level 50Hz/60Hz (load)	65 dB(A) <sup>1)</sup>	69 dB(A) <sup>1)</sup>	Terminal box position	top
Moment of inertia	0.0021 kg m <sup>2</sup>		Material of terminal box	Aluminium
Bearing DE   NDE	6205 2Z C3	6004 2Z C3	Type of terminal box	TB1 E00
Bearing lifetime	40000 h		Contact screw thread	M4
Lubricants	Esso Unirex N3		Max. cross-sectional area	1.5 mm <sup>2</sup>
Regreasing device	No		Cable diameter from ... to ...	9.0 mm - 17.0 mm
Grease nipple	- / -		Cable entry	1xM25x1,5
Type of bearing	Preloaded bearing DE		Cable gland	1 plug
Condensate drainage holes	Yes		<div style="border: 1px solid black; padding: 5px; text-align: center;"> <b>Special design (1)</b>                      H03 Condensation drain holes in end shield                 </div>	
External earthing terminal				
Vibration severity grade	A			
Insulation	155(F) to 130(B)			
Duty type	S1			
Direction of rotation	bidirectional			
Frame material	aluminum			
Data of anti condensation heating	-/-			
Coating (paint finish)	Standard paint finish C2			
Color, paint shade	RAL7030			
Motor protection	(A) without (Standard)			
Method of cooling	IC411 - self ventilated, surface cooled			

### Environmental conditions

Ambient temperature	-20 °C - +40 °C
Altitude above sea level	1000 m

### Notes

I<sub>A</sub>/I<sub>N</sub> = locked rotor current / current nominal    M<sub>k</sub>/M<sub>N</sub> = break down torque / nominal torque  
 M<sub>k</sub>/M<sub>N</sub> = locked rotor torque / torque nominal    1) Value is valid only for DOL operation with motor design IC411



DIN 332-DR M8  
 DIN 6885-1

Tolerance	Surface	Material	Weight E	Scale 1:1
F50 P000000000000	Author PEH	Creator ÖVS	T a : ^ & @ } *	
	Approval	Department		
	Change Order	MLFB	Doc Type	
	Doc. State FEBBFF	Item No	Paper Size OH	
	Revision Index RS	Doc No	1st Language 2nd Language ^ } â ^	
© Siemens AG 2018	Project No E	Ref No E	Sheet F of F	

刀线管  
用转换为千分  
位  
用文全途  
用为  
积