

Data sheet for three-phase Squirrel-Cage-Motors SIMOTICS



Motor type : 1AV2073A

SIMOTICS GP - 71 M - IM B3 - 2p

Client order no.	Item-No.	Offer no.
Order no.	Consignment no.	Project

Remarks

Electrical data

Safe Area

U [V]	Δ / Y	f [Hz]	P [kW]	P [hp]	I [A]	n [1/min]	M [Nm]	η ³⁾			$\cos\phi$ ³⁾			I_A/I_N I_i/I_N	M_A/M_N T_i/T_N	M_k/M_N T_B/T_N	IE-CL
								4/4	3/4	2/4	4/4	3/4	2/4				
230	Δ	50	0.55	-/-	2.35	2780	1.9	74.1	75.2	72.9	0.80	0.72	0.58	4.6	2.6	2.6	IE2
400	Y	50	0.55	-/-	1.34	2780	1.9	74.1	75.2	72.9	0.80	0.72	0.58	4.6	2.6	2.6	IE2
460	Y	60	0.63	-/-	1.34	3380	1.8	74.0	74.4	71.8	0.80	0.73	0.60	5.1	2.9	2.9	IE2
460	Y	60	0.55	-/-	1.23	3420	1.5	74.0	73.4	69.6	0.76	0.68	0.55	5.4	3.4	3.4	IE2

IM B3 / IM 1001	FS 71 M	7 kg	IP55	IEC/EN 60034	IEC, DIN, ISO, VDE, EN
Environmental conditions : -20 °C - +40 °C / 1000 m				Locked rotor time (hot / cold) : 22.9 s 32.7 s	

Mechanical data

Sound level (SPL / SWL) at 50Hz 60Hz	52 / 63 dB(A) ²⁾	57 / 68 dB(A) ²⁾	Vibration severity grade	A
Moment of inertia	0.0004 kg m ²		Insulation	155(F) to 130(B)
Bearing DE NDE	6202 2Z C3	6202 2Z C3	Duty type	S1
bearing lifetime			Direction of rotation	bidirectional
L _{10mh} , F _{Rad} min 50 60Hz ¹⁾ for coupling operation	40000 h	32000 h	Frame material	aluminum
Lubricants	Unirex N3		Net weight of the motor (IM B3)	7 kg
Regreasing device	No		Coating (paint finish)	Standard paint finish C2
Grease nipple	-/-		Color, paint shade	RAL7030
Type of bearing	Preloaded bearing DE		Motor protection	(A) without (Standard)
Condensate drainage holes	Yes		Method of cooling	IC411 - self ventilated, surface cooled
External earthing terminal	No			

Terminal box

Terminal box position	top	Max. cross-sectional area	1.5 mm ²
Material of terminal box	Aluminium	Cable diameter from ... to ...	9 mm - 17 mm
Type of terminal box	TB1 B00	Cable entry	1xM25x1,5
Contact screw thread	M4	Cable gland	1 plug

Notes:

I_A/I_N = locked rotor current / current nominal
 M_k/M_N = locked rotor torque / torque nominal
 M_k/M_N = break down torque / nominal torque
 1) L10mh according to DIN ISO 281 10/2010
 2) at rated power / at full load
 3) Value is valid only for DOL operation with motor design IC411

responsible dep. DI MC LVM	technical reference	created by DT Configurator	approved by	Technical data are subject to change! There may be discrepancies between calculated and rating plate values.
-------------------------------	---------------------	-------------------------------	-------------	--

	document type datasheet	document status released	customer	
	title 1LE1001-OCA32-2AA4-Z H03	document number	rev. 01	creation date 2021-09-01 15:21
© Siemens AG 2021				Page 1/2

Data sheet for three-phase Squirrel-Cage-Motors SIMOTICS



Motor type : 1AV2073A

SIMOTICS GP - 71 M - IM B3 - 2p

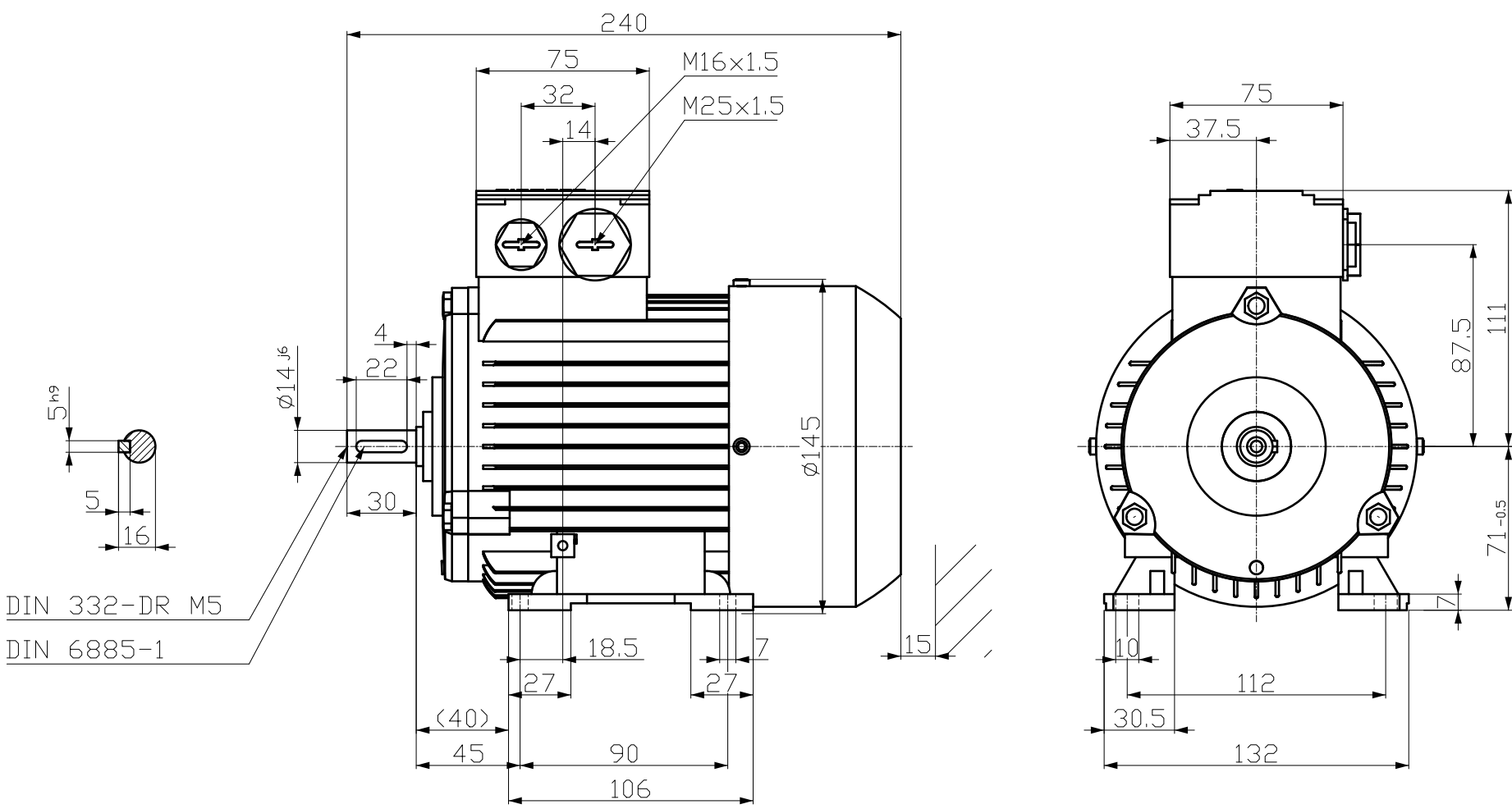
Special design

H03 Condensation drain holes in end shield

Notes:

responsible dep. DI MC LVM	technical reference	created by DT Configurator	approved by	<i>Technical data are subject to change! There may be discrepancies between calculated and rating plate values.</i>
-------------------------------	---------------------	-------------------------------	-------------	---

SIEMENS	document type datasheet	document status released	customer	
	title 1LE1001-0CA32-2AA4-Z H03	document number	rev. 01	creation date 2021-09-01 15:21
© Siemens AG 2021			language en	Page 2/2



DIN 332-DR M5
DIN 6885-1

Tolerance	Surface	Material	Weight	Scale
F50 F6 F7 F8 F9 F10 F11 F12 F13 F14 F15 F16 F17 F18 F19 F20 F21 F22 F23 F24 F25 F26 F27 F28 F29 F30 F31 F32 F33 F34 F35 F36 F37 F38 F39 F40 F41 F42 F43 F44 F45 F46 F47 F48 F49 F50 F51 F52 F53 F54 F55 F56 F57 F58 F59 F60 F61 F62 F63 F64 F65 F66 F67 F68 F69 F70 F71 F72 F73 F74 F75 F76 F77 F78 F79 F80 F81 F82 F83 F84 F85 F86 F87 F88 F89 F90 F91 F92 F93 F94 F95 F96 F97 F98 F99 F100	Author Creator Approval Department Change Order	ÖS T a : ^ & @ } * MLFB	E	{ {
SIEMENS © Siemens AG 2018	Doc. State Revision	J P B F Index RS	Item No. Doc No.	Paper Size 1st Language 2nd Language
	Project No	E	Ref No	E
				Sheet F of F